





R6200
GRADE 430
STAINLESS STEEL DOOR BIN

20 Litre

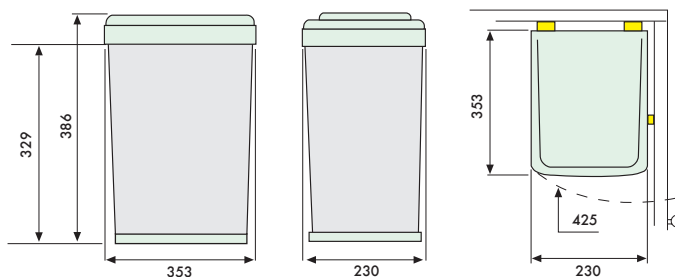
Suitable for installation in a 500mm unit with a hinged door.

Left or right assembly.

The lid is opened by means of an automatic mechanism.

The plastic materials are shock-resistant and durable.

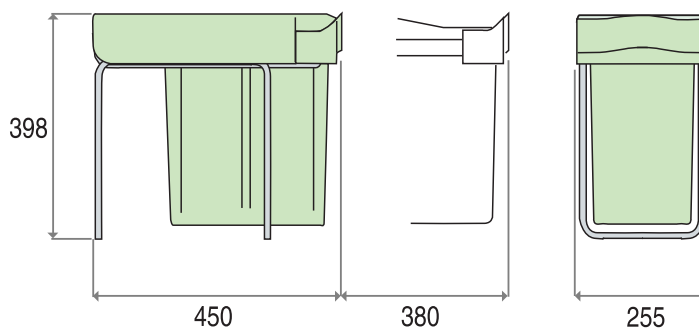
AN ASSEMBLY TEMPLATE IS PROVIDED WITH EACH UNIT.



R6226
PULLOUT BIN ON RUNNERS

20 Litre

SUITABLE FOR INSTALLATION IN A 300mm UNIT WITH A HINGED DOOR.



R6245
45 LITRE TILT BIN

Metallic Grey

540 x 380 x 315

including 45L Tilt Bin Lid: H = 615

R6244 - STEEL BIN BRACKET 45LT

R6246 - 45 LITRE TILT BIN LID

RTS220 - FLAP DOOR SLIDE

SUITABLE FOR INSTALLATION IN A 450mm UNIT WITH A BOTTOM HINGED DOOR.

R6243

32 LITRE TILT BIN

Metallic Grey

530 x 340 x 290

R6242 - STEEL BIN BRACKET 32LT

R6247 - 32 LITRE TILT BIN LID

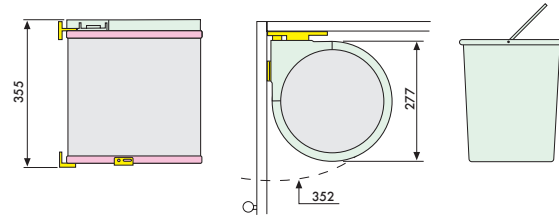
RTS220 - FLAP DOOR SLIDE

SUITABLE FOR INSTALLATION IN A 400mm UNIT WITH A BOTTOM HINGED DOOR.



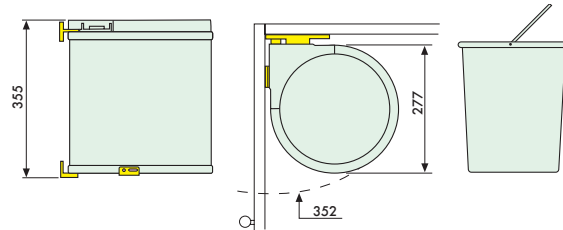
R6274
DOOR BIN STAINLESS STEEL
 15 Litre

Suitable for installation in a 400mm unit with a hinged door. Left or right assembly. The lid is opened by means of an automatic mechanism. The plastic materials are shock-resistant and durable. An assembly template is provided with each unit.



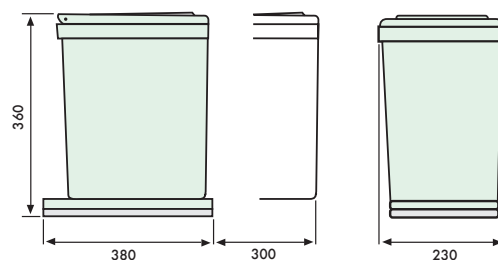
DOOR BIN PLASTIC
 15L
R6270MGS - Metallic Grey
R6270WS - White

Suitable for installation in a 400mm unit with a hinged door. Left or right assembly. The lid is opened by means of an automatic mechanism. The plastic materials are shock-resistant and durable. An assembly template is provided with each unit.



R6280
PULLOUT BIN WHITE
 15 Litre

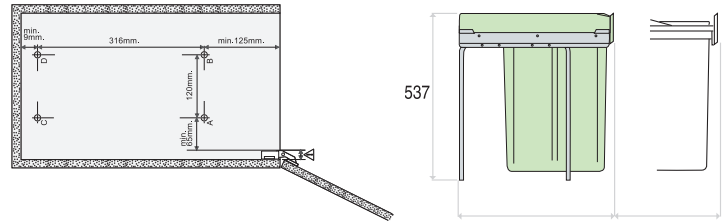
Suitable for installation in a 300mm unit with a hinged door. The bin is pulled out manually and slides out on a robust slide mechanism. The lid is raised automatically by means of a vertical stick. The plastic materials are shock-resistant and durable.





R6294
FULL EXTENTION PULLOUT BIN
 300 Unit
 40 Litre

Suitable for installation in a 300mm unit with a hinged door. The front part of the lid lifts automatically for easy access. The lid is fixed to the framework and remains in position when the bin is pulled out by hand. The lid is easy to unhook to facilitate cleaning. The plastic materials are shock-resistant and durable.



R6557
MULTI USE CONTAINER ROMAGNA

R6557 is a handy plastic waste bin equipped with lid, ideal for the rest of detergents, sponges and small objects. The product can be also used as a collector for organic waste, and it's equipped with a handle that allows its hooking to the cabinet door or handle for a very practical use.

**R6580****SOFT CLOSE ROMAGNA RECYCLING BIN + BIO WASTE BIN**

85L - 600mm UNIT

This waste bin unit has five separate bins for recycling; the two larger bins have a capacity of 35 litres each and the two smaller bins have a capacity of 7,5 litres each. The fifth bin is the bio-waste bin which has a 5L capacity and fits into one of the larger bins.

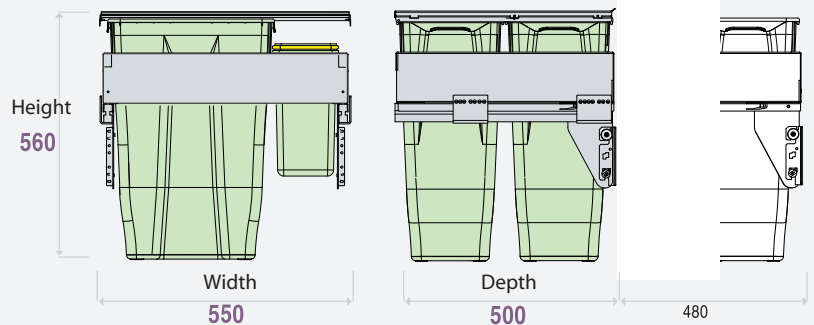
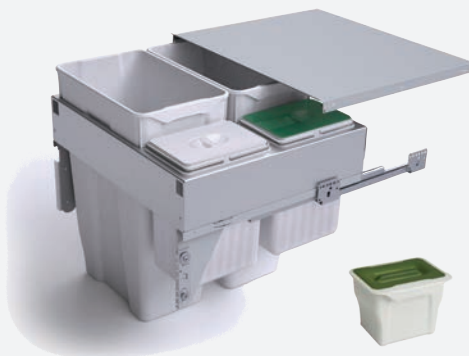
- Suitable for fitting to doors that are 16-20mm thick.
- Bin slides out leaving the lid inside the cupboard.
- The steel lid is suitable for storage of small items such as sponges and gloves.
- The bin is encased in a metal frame for fitting to the door and sides of the unit.
- The bin pulls out on two full extension soft closing runners.
- Metal frame for fitting to the door and sides of the unit.

**R6588****SOFT CLOSE ROMAGNA RECYCLING BIN + BIO WASTE BIN**

70L - 450mm UNIT

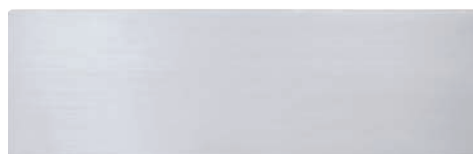
This waste bin unit has three separate bins for recycling; the two larger bins have a capacity of 35 litres each and are used for the separation of glass and plastic. The third, smaller bin is a practical bio-waste bin which has a translucent hermetic lid and bag holder system and a 5 litre capacity and fits perfectly into either of the other bins. Due to its design, it can also be hooked to the kitchen door or handle. This bin is also easy to clean and dishwasher proof.

- Suitable for fitting to doors that are 16-20mm thick.
- Bin slides out leaving the lid inside the cupboard.
- The steel lid is suitable for storage of small items such as sponges and gloves.
- The bin is encased in a metal frame for fitting to the door and sides of the unit.
- The bin pulls out on two full extension soft closing runners.
- Metal frame for fitting to the door and sides of the unit.





FRONT VIEW



BACK VIEW



AADPC100
90° CORNER FOR ALUMINIUM KICK PLATE
 For 100mm Kick Plate

AADPC
90° CORNER FOR ALUMINIUM KICK PLATE
 For 150mm Kick Plate

AADPFC100
FLEXIBLE CORNER FOR ALUMINIUM KICK PLATE
 100mm Kick Plate

AADPFC
FLEXIBLE CORNERS FOR ALUMINIUM KICK PLATE
 150mm Kick Plate

AALKPL
ALUMINIUM KICK PLATE
 3.6m Length - 150mm

AALKPL100
ALUMINIUM KICK PLATE
 3.6m Length - 100mm



WHITE AND GREY SPICE TRAYS

Vacuum formed High Gloss ABS

RSPICE400L	- 310 x 476 (Trimnable)	- 400mm unit
RSPICE450GR	- 380 X 480 Metallic Grey	- 450mm unit on metabox runner
RSPICE450L	- 357 x 465	- 450mm unit on 500mm runner
RSPICE450LGR	- 357 x 465 Metallic Grey	- 450mm unit on 500mm runner
RSPICE450S	- 357 x 415	- 450mm unit on 450mm runner
RSPICE500	- 408 x 465	- 500mm unit
RSPICE500GR	- 408 x 465 Metallic Grey	- 500mm unit
RSPICE600	- 511 x 465	- 600mm unit
RSPICE600GR	- 511 x 465 Metallic Grey	- 600mm unit



WHITE CUTLERY TRAYS

Vacuum formed High Gloss ABS

RCUT400L	- 310 x 476 - 400mm unit - FLAT
RCUT450L	- 357 x 465 - 450mm unit
RCUT450M	- 380 x 480 - 450mm unit metabox
RCUT450S	- 357 x 415 - 450mm unit
RCUT500	- 408 x 465 - 500mm unit
RCUT600	- 511 x 465 - 600mm unit

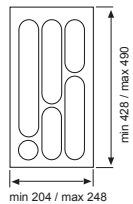


METALLIC GREY CUTLERY TRAYS

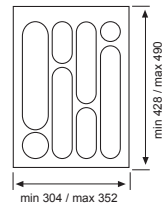
(TRIMMABLE)

RCUT738	- 300mm unit
RCUT739	- 400mm unit
RCUT740	- 450mm unit
RCUT743	- 500mm unit
RCUT741	- 600mm unit
RCUT742	- 900mm unit

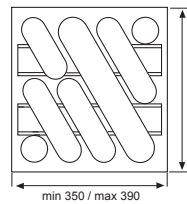
RCUT738



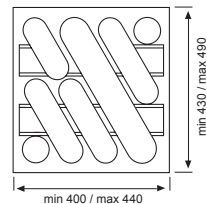
RCUT739



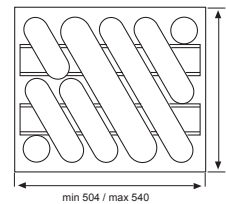
RCUT740



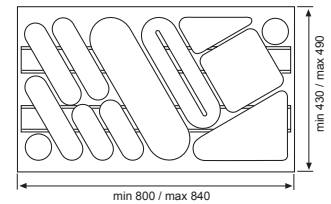
RCUT743



RCUT741



RCUT742



TETRIX CUTLERY TRAY



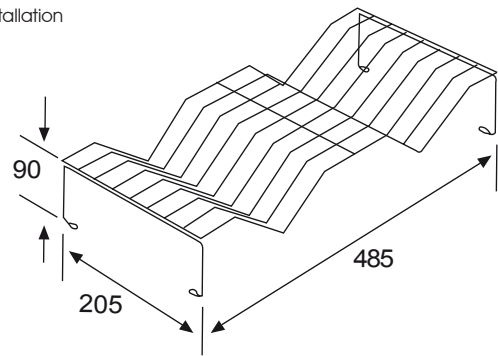
Application with Tetrax Cutlery Tray

TETRIX CUTLERY TRAY SILVER - TRIMMABLE

RCUTS26280SILV	- 300/350mm Unit
RCUTS26400SILV	- 400/450mm Unit
RCUTS26500SILV	- 500/550mm Unit
RCUTS26600SILV	- 600mm Unit



**RC300
CROCKERY RACK**
White epoxy coated
Suitable for installation
300mm unit
Pot Drawer



**RE0707DMATT
DISH MATT STAINLESS STEEL**
470X442mm



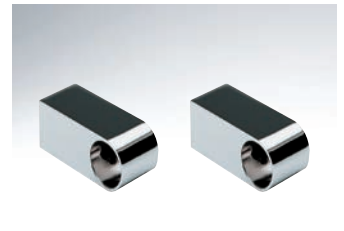
RGM731
CHROME MIDWAY DOUBLE SHELF
450 x 185
Height: 350



RGM724
CHROME MIDWAY SINGLE SHELF



RGM151
CHROME MIDWAY END CAP



RG163
CHROME TUBE SUPPORT
Per Pair



RGM723
MIDWAY PAPER TOWEL & FOIL
HOLDER
Chrome



MIDWAY CHROME TUBE
RGM155 16mm DIAMETER - 600mm
RGM154 16MM DIAMETER - 1000mm



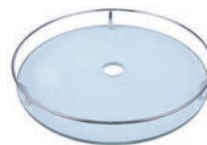
RGM158
CONNECTOR BUSH PLASTIC
(For connecting midway tubes)



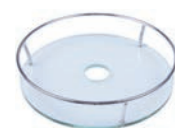
RG161
CHROME KITCHEN UTENSIL HOOKS



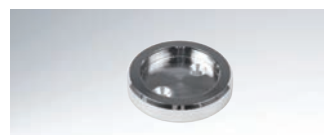
RGP225
APOLLO GLASS
SHELF FOR WINE
GLASSES
350mm



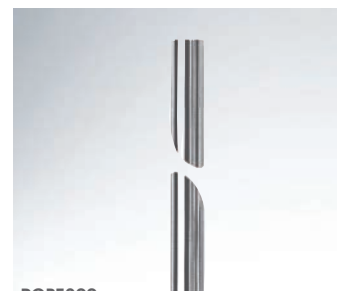
RGP224
APOLLO GLASS SHELF
450mm



RG223
APOLLO GLASS SHELF
300mm



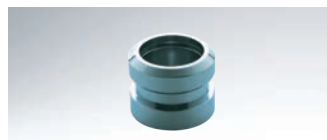
RGP201
APOLLO BASE FITTING CHROME



RGPE200
APOLLO POLE CHROME
3mX50mm



RG208
APOLLO WALL FIXING
FITTING CHROME



RG204
APOLLO FIXING RING CHROME
1 PER SHELF



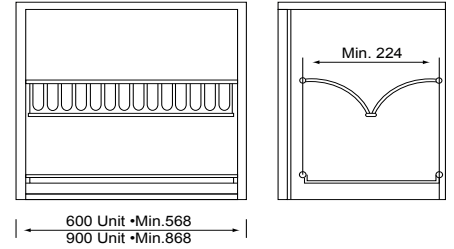
RG202
APOLLO CEILING
FIXING CHROME

RGPC200
APOLLO POLE CHROME
1.8mX50mm

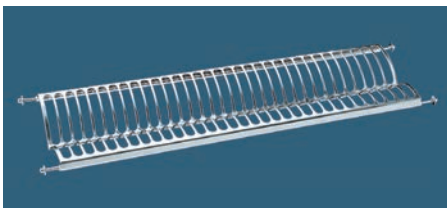


RFG565831005600
STAINLESS STEEL DISH DRYING RACK
 For 600mm unit

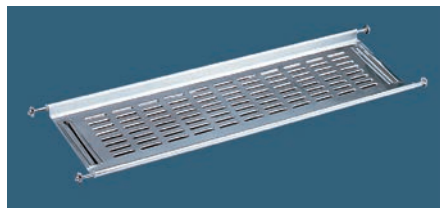
RFG565831008600
STAINLESS STEEL DISH DRYING RACK
 For 900mm unit



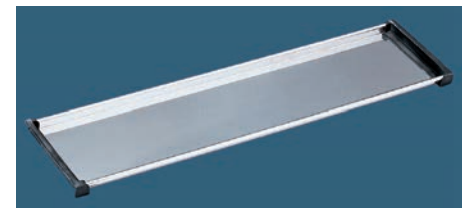
Contents of dish drying rack



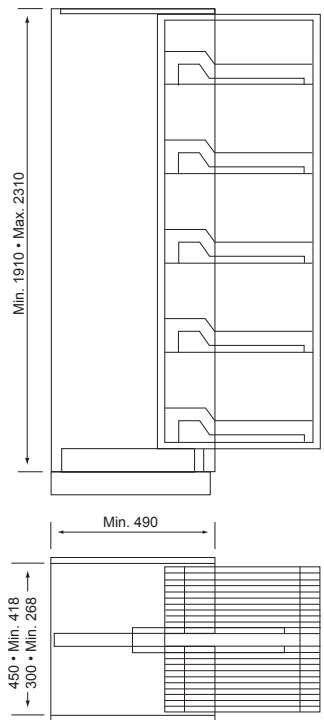
DISH RACK
 Load capacity - 16.8Kg - 600mm unit
 - 25.2Kg - 900mm unit



GLASS RACK
 Load capacity - 12Kg - 600mm unit
 - 18Kg - 900mm unit



DRIP TRAY



RFG55E178002600
HIGH-LINE PULLOUT PANTRY
 for 300mm unit
 1910MIN-2310 FGV

RFG55E178004100
HIGH-LINE PULLOUT PANTRY
 for 450mm unit
 1910MIN-2310 FGV

Full extension runners
 Load capacity 80Kg
 Height adjustable
 Includes: 6 chrome baskets on adjustable guides

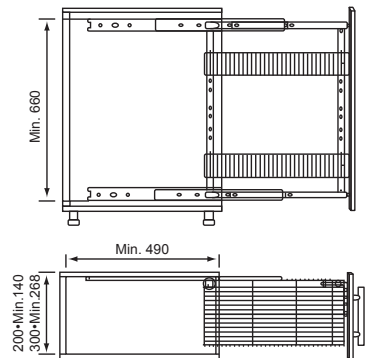




RFG3A0159081500
PULLOUT SPICE
LARDER SIDE MOUNT
 FGV 642X150 - 150 unit

RFG3A0159083000
PULLOUT SPICE
LARDER SIDE MOUNT
 FGV 642X300 - 300 unit

- Includes full extension runners
 - Self closing
 - Load capacity 50Kg
 - Includes: 1 chrome basket and 1 chrome bottle holder on adjustable guides
- Left or right installation



RFG3A0010001500
SPARE CHROME BASKET
 for 150mm side mount larder CHR150

RFG3A0010003000
SPARE CHROME BASKET
 For 300mm side mount larder CHR300



RTSW41005
PULLOUT SINGLE PANTRY FOR HINGED DOOR
 530 x 385 x (1850 - 2060)

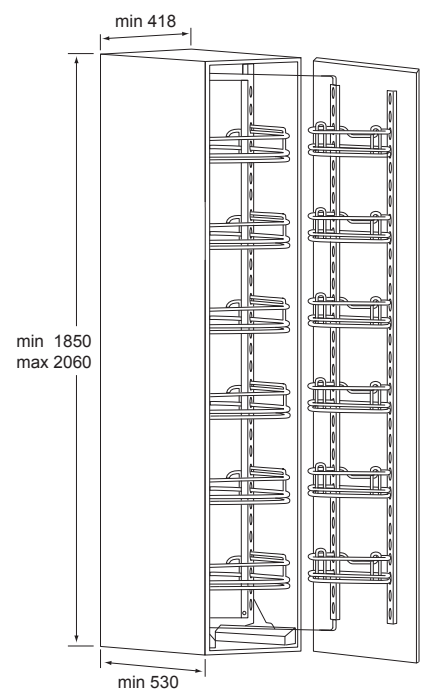
- Suitable for installation in a 450mm unit
- Unit includes 14 chrome baskets on height adjustable guides
- Left or right hand installation
- Height adjustable
- Hinge recommendation:
 - use 175° hinges only
 - 4 hinges per MDF door
 - 5 hinges per SOLID door
- Load Capacity: 65kg



CHROME BASKET
 for PULLOUT FRAME
 6 per Pantry



CHROME BASKET for
 DOOR FRAME
 6 per Pantry





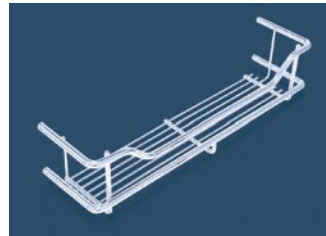
**RTSW41006
PULLOUT DOUBLE PANTRY FOR HINGED DOORS**

530 x 790 x 1850

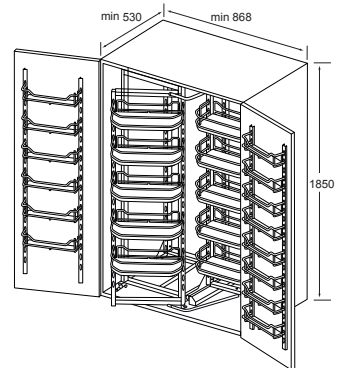
- Suitable for installation in a 900mm unit
- Unit includes 42 chrome baskets on height adjustable guides
- Height - Fixed
- Hinge recommendation:
 - use 175° hinges only
 - 4 hinges per MDF door



**CHROME BASKET FOR
PULLOUT FRAME**
28 per Pantry



**CHROME BASKET FOR
DOOR FRAME**
14 per Pantry



ECONO



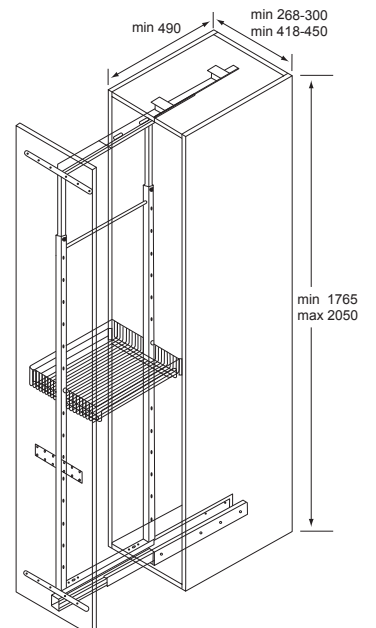
**RTSW11309
300MM PULLOUT PANTRY**
450 X 240 X (1756 - 2050)

**RTSW11339
450MM PULLOUT PANTRY**
500 X 395 X (1765 - 2050)

- Full extension runner
- Height adjustable
- Included: 6 chrome baskets
- Load capacity: 65kg



CHROME BASKET
for PULLOUT FRAME
6 per Pantry



ECONO



900MM MAGIC CORNER UNIT

RTSW41008L - Left Opening

RTSW41008R - Right Opening

530 X 860 X 560

SUITABLE FOR INSTALLATION IN A 900MM REACH-IN UNIT



RTSW80150

PULLOUT SPICE LARDER

500 X 145 X 580 - 200 Unit

STANDARD BEARING RUNNER

RTSW80300

PULLOUT SPICE LARDER

500 x 245 x 580- 300 Unit

STANDARD BEARING RUNNER



RTSW200SOFT

PULLOUT SPICE LARDER

500X145X580 - 200 Unit

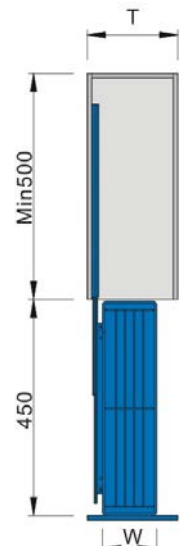
SOFT CLOSING UNIT

RTSW300SOFT

PULLOUT SPICE LARDER

500X145X580 - 300 Unit

SOFT CLOSING UNIT





RTSW412011
MULTI FUNCTION WINE RACK
 605X270X185mm



RPSH1CH
WINE GLASS HOLDER
 1 LAYER CHROME
 3 Glasses
 107X339X65



RPSH20CH
 4 LAYER CHROME 345mm
 12 Glasses
 405X339X65



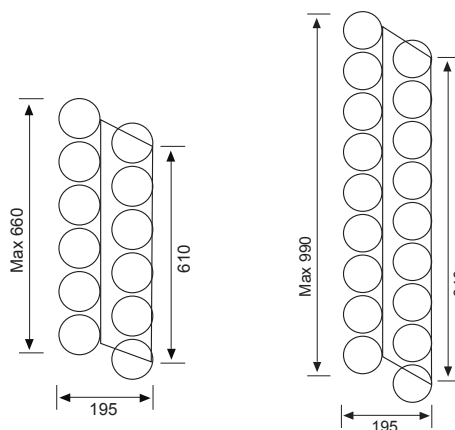
RPSH2CH
 2 LAYER CHROME
 6 Glasses
 210X339X65



RWBH5
CHROME WINE BOTTLE HOLDER
 5 Ring

RWBH6
CHROME WINE BOTTLE HOLDER
 6 Ring

RWBH9
CHROME WINE BOTTLE HOLDER
 9 Ring





RSPICE3
SPICE RACK PLASTIC
3 TIER
530 x 385



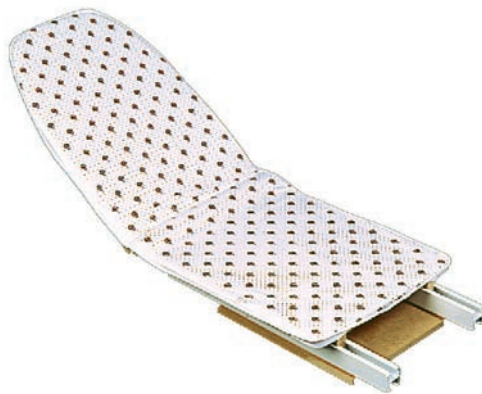
RSPICE3CH
SPICE RACK CHROME
3 TIER
610 x 382



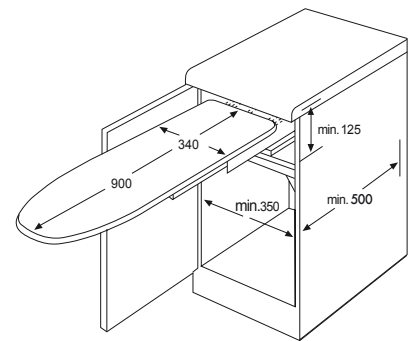
RTEC0711
NON-SLIP DRAWER MATTING
Grey
Roll Width 1450mm x 1000mm
SOLD PER METRE



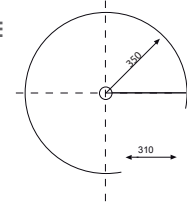
RTS951BS
ALUMINIUM PULLOUT DISH TOWEL RAIL
Bright Silver
450mm



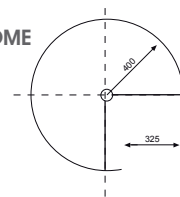
RR490
FOLDING PULLOUT IRONING BOARD
Suitable for installation in 400mm unit
Supplied with 100% cotton removable Cover



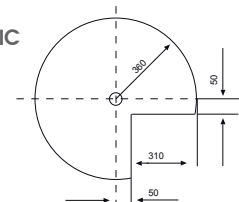
RWCT720CH
3/4 CAROUSEL CHROME
Ø 700
Suitable for installation in 800mm or 900mm Corner Cupboard
Load capacity 20Kg



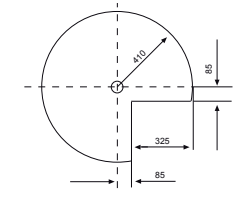
RWCT820CH
3/4 CAROUSEL CHROME
Ø 800
Suitable for installation in 900mm Corner Unit
Load capacity 20Kg



RWCT720
3/4 CAROUSEL PLASTIC
Ø 720 White
Suitable for installation in 800mm or 900mm Corner Unit
Load capacity 20Kg



RWCT820
3/4 CAROUSEL PLASTIC
Ø 820 White
Suitable for installation in 900mm Corner Unit
Load capacity 20Kg



VEGETABLE BASKETS



CHROME

RVB450CH	- 450 Unit	500 x 368 x 175
RVB450DCH	- 450 Unit	500 x 368 x 200
RVB500CH	- 500 Unit	500 x 418 x 175
RVB500DCH	- 500 Unit	500 x 418 x 200
RVB600CH	- 600 Unit	500 x 518 x 175
RVB600DCH	- 600 Unit	500 x 518 x 200

WHITE EPOXY COATED

RVB300	- 300 Unit	500 x 218 x 100
RVB400	- 400 Unit	500 x 318 x 100
RVB450	- 450 Unit	500 x 368 x 100
RVB450S	- 450 Unit	450 x 368 x 100
RVB500	- 500 Unit	500 x 418 x 100
RVB600	- 600 Unit	500 x 518 x 100

RVBS - VEG BASKET SPACER BLOCK 25mm (2 needed per veg basket)

- All white baskets 100mm deep except VB450D which is 200mm deep
- All chrome baskets 175mm deep
- All baskets include 500mm runners except VB450S which includes 450mm runners
- Chrome baskets include full extension ball bearing runners
- Allow 25mm for runner thickness plus 25mm for spacer
- Order spacers separately - VBS - required for white and chrome baskets



RVBWS400	- 400 Unit Natural
RVBWS400M	- 400 Unit Mahogany
RVBWS400WH	- 400 Unit White
RVBWS450	- 450 Unit Natural
RVBWS450CH	- 450 Unit Cherry
RVBWS450M	- 450 Unit Mahogany
RVBWS450WH	- 450 Unit White
RVBWS500	- 500 Unit Natural
RVBWS500CH	- 500 Unit Cherry
RVBWS500M	- 500 Unit Mahogany
RVBWS500WH	- 500 Unit White
RVBWS600	- 600 Unit Natural
RVBWS600WH	- 600 Unit White
RVBWS600M	- 600 Unit Mahogany

THE DESIGN OF THESE BASKETS MAY VARY.

SYNTHETIC WICKER BASKETS

- The wicker baskets are a uniform colour and have a smooth finish.
- The wicker baskets are easy to clean.
- The wicker baskets are made of a fully recyclable plastic. The raw material used is polyprop and polyethylene which is a more environmentally friendly plastic than PVC.
- The colour of the basket will not fade over time as the natural fabrication does.
- All Wicker Baskets are 500mm deep x 185mm high, and exclude runners. Sizes can vary due to material used.
- Special sizes may be ordered.



RWTBSS ECONOMY STAINLESS STEEL WORKTOP BIN LID

Outside Diameter - 270mm



PLASTIC WORKTOP INSET BIN LID

Diameter	- 240mm
RWTBCHL	- CHARCOAL
RWTBGRE	- GREY
RWTBOAK	- OAK
RWTBWH	- WHITE

RADBROOMCLIPCH BROOM CLIP

Black and Chrome



RADBROOMCLIPBL BROOM CLIP

Plastic





RRE774700
600MM ALUMINIUM ROLLER SHUTTER DOOR
 600 x 1544mm

RRE774710
900MM ALUMINIUM ROLLER SHUTTER DOOR
 900 x 1544mm

RRE791629
600MM ALUMINIUM ROLLER SHUTTER DOOR
 600 x 1080mm

RRE791639
900MM ALUMINIUM ROLLER SHUTTER DOOR
 900 x 1080mm



RRE789640
VETROLINE GLASS CASSETTE ROLLER SHUTTER
 600 x 1000mm

RRE351023
VETROLINE GLASS CASSETTE ROLLER SHUTTER
 900 x 1000mm

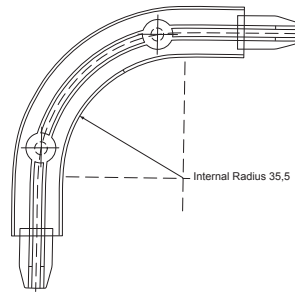


- Using 50mm wide slats of safety glass, the Vetroline creates a harmonious and two dimensional front.
- The safety glass withstands high loads, does not scratch and has a distinctive appeal due to its impressive translucent appearance and excellent surface flatness.
- The material is low maintenance and easy to clean.
- The same applies for the frame profiles in cool aluminium finish, which complete the high quality look.

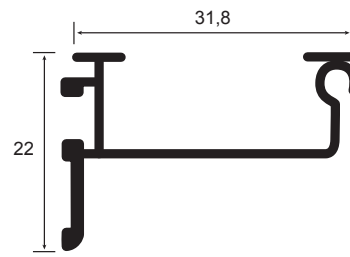




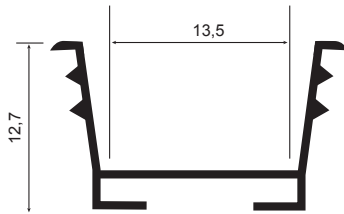
RRE264089BLK
90° CORNER CONNECTOR
 Black



RRE264089GRE
90° CORNER CONNECTOR
 Grey

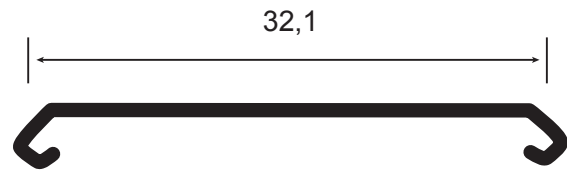


RRE225247
ALUMINIUM HANDLE GRIP SECTION
 3 metre lengths



RRE770124BLK
ROLLER SHUTTER TRACK
 Black
 3 metre lengths

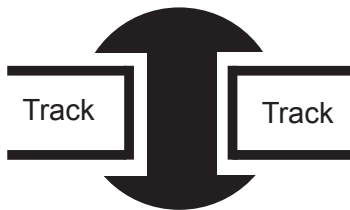
RRE770124GRE
ROLLER SHUTTER TRACK
 Grey
 3 metre lengths



RRE770255
HANDLE COVER
 Aluminium 3 metre lengths

RRE770245
HANDLE COVER
 Black 3 metre lengths

TRACK GROOVE - WIDTH 17MM AND DEPTH 12,5MM

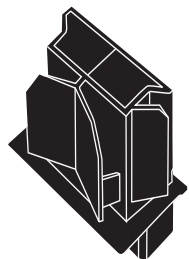


RRE779720
CENTRE STOP

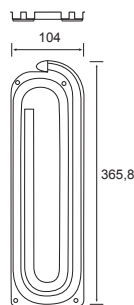


RRE249791AL
FINGER GRIP
 Aluminium

RRE249791BLK
FINGER GRIP
 Black



RRE242902
HANDLE GRIP
SECTION GLIDE

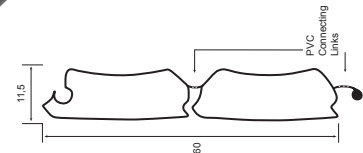


RRE222145
4 WAY SNAIL TRACK
 Countersunk



RRE770145BLK
BLACK 60MM ROLLER SHUTTER SLATS
 3 metre lengths

RRE770145WH
WHITE 60MM ROLLER SHUTTER SLATS
 3 metre lengths



RRE77016AL
ALUMINIUM 60MM ROLLER SHUTTER SLATS
 3 metre lengths



ALUMINO ALUMINIUM DOOR SYSTEM

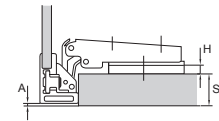
The Alumino Aluminium Door System is a simple, effective method of constructing an aluminium framed glass door.

The hinge and corner connecting joints are fixed to the aluminium frame by means of a fastening screw.

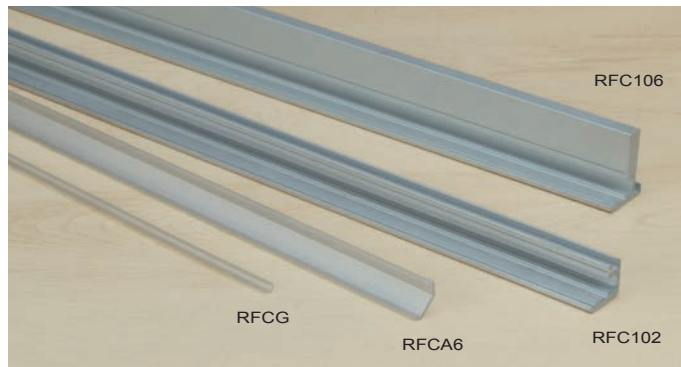
The rear of the door is covered by an ABS cover strip to create an aesthetically pleasing finish.



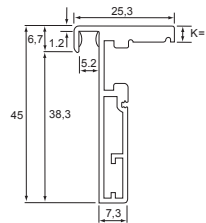
R51MS310500000
105° SLIDE-ON STRAIGHT HINGE
For Alumino Door



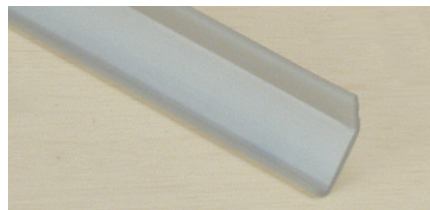
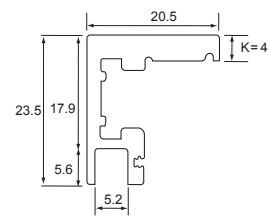
$H = (14 + A + K) - S$
H = height of Base Plate
K = 4 (see aluminium profile)



RFC106
ANODISED ALUMINIUM
DOOR PROFILE
3 metre lengths



RFC102
ANODISED ALUMINIUM
DOOR PROFILE
3 metre lengths



RFCA6
COVER STRIP
3 metre lengths
Neutral colour

RFCG
GLASS GASKET
3 metre lengths,
Suitable for 4mm glass
Neutral colour



RFCA4
CORNER CONNECTOR
4 Connectors required per door
4 Fastening screws
Minimum starting point for hinge is
78mm from middle line of corner connector.



RTEC9015
SNAP ON BALL FITTING FOR
ALUMINIUM DOORS
(ordered separately)



RTEC9042
GAS LIFT 270MM 200N
Load Capacity 4.5kg
N110
Extended length 243mm
Includes 2 Snap-on ball fittings for solid and MDF doors





DOLCE VITA & COMPAGNUCCI

SOFT CLOSING PULLOUT LARDER



RCOMP407001
SOFT CLOSING PULLOUT LARDER
 CHROME BASKET
 150 UNIT - FGV/COMPAGNUCCI
 114x450x1814

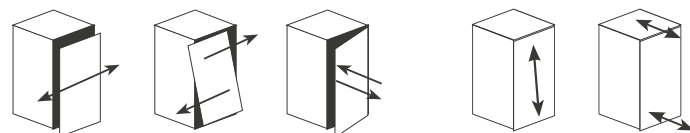


PULL-OUT PANTRY UNIT FOR CABINETS OF 150 mm

114 mm wide, the pull-out pantry unit is the most convenient fitting for use with 150 mm cabinets, since the various versions multiply the space available and organise it rationally. The pantry unit is fitted with fully pull-out runners with slowmotion system, and has capacity of 30 kgs.



SLOW MOTION PULLOUT LARDER



The door position has three-way adjustment.



SLOW MOTION PULLOUT HIGH LINE LARDER GREY & CHROME 1700-1900 - FGV/COMPAGNUCCI

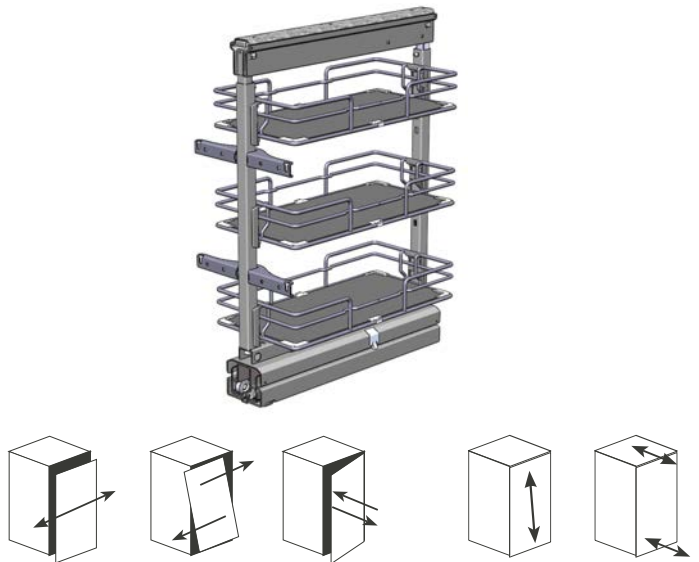
- RCOMP526S001 - 150 UNIT
 - RCOMP526S005 - 300 UNIT
 - RCOMP526S11 - 450 UNIT
- 5 Baskets per unit



ADJUSTABLE HEIGHT PULL-OUT PANTRY UNIT

Pantry pull-out unit with synchronized, total extraction runners. Load capacity 120 Kg. Double closing slowmotion system. Opening slowmotion system.





RCOMP521S05
SLOW MOTION PULLOUT SPICE LARDER
 GREY & CHROME 680-890 Height Adjustable
 300 UNIT - FGV/COMPAGNUCCI
 3 Baskets per unit



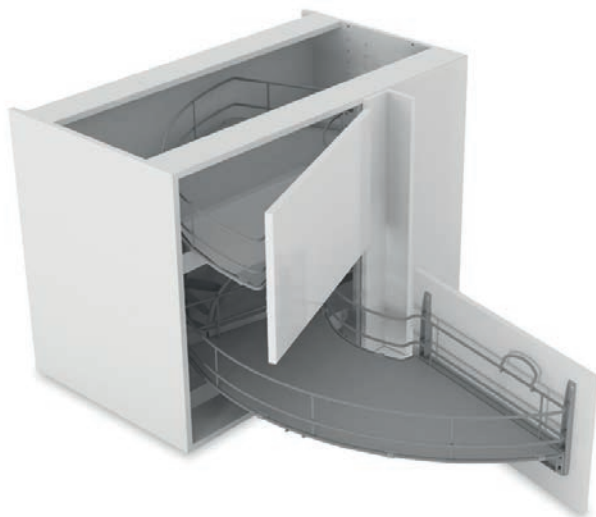
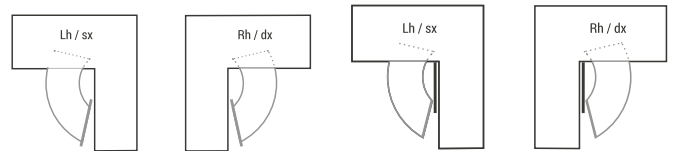
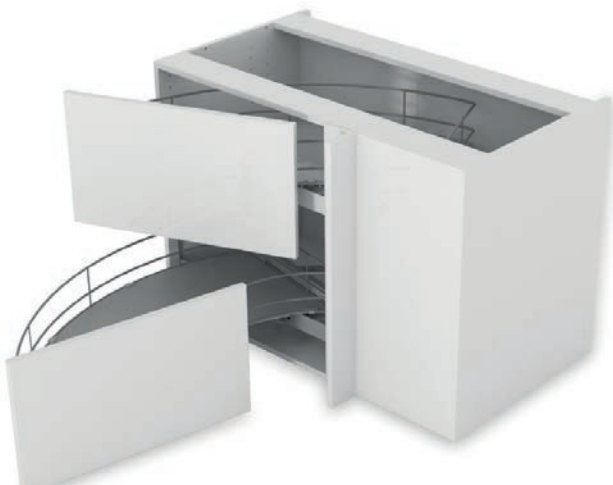
PULLOUT TWISTER UNIT

PULLOUT TWISTER UNIT GREY & CHROME
 FGV/COMPAGNUCCI
 RCOMP702D11 - LEFT HAND OPENING
 RCOMP702D15 - RIGHT HAND OPENING

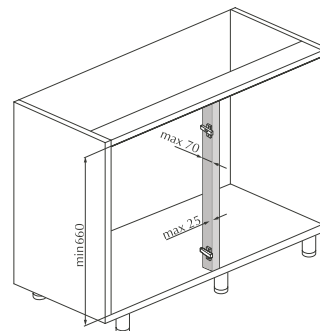


CIRCULAR PULL-OUT FITTING FOR CORNER BASE CABINETS

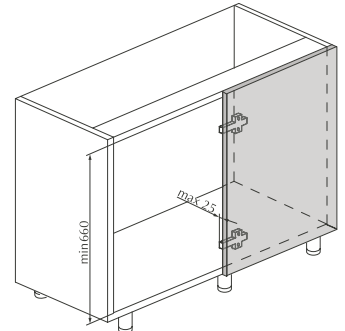
Available in the RH and LH version. This product's key feature is that any type of door panel can be mounted on the mechanism. This allows the kitchen's stylistic line to be maintained even in its corner cabinets. The twister can be installed on corner base cabinets with doors of 450, 500 and 600 mm.



CABINET WITH VERTICAL WOODEN CROSS



CABINET WITHOUT VERTICAL WOODEN CROSS



ALTO



ALTO PULLOUT PANTRY for 300mm or 450mm unit

- Equipped with - heavy duty full extension slide
 - SLOWMOTION damping
 - anti-whip technology on the top slide
 - easily adjustable shelves
 - anti-slip surface
 - shelves which are fully accessible from both sides
- Load capacity 100kg
- Available in CristalLine
 - Hi-Line Unit = 6 shelves (H = 1910 - 2310)

300mm UNIT

RFGDA306CH - Hi-Line, CristalLine finish
6 SHELF CRYSTAL LINE 300mm

450mm UNIT

RFGDA456CH - PULLOUT LARDER ALTO
6 SHELF CRYSTAL LINE 450mm
1910-2310 DOLCE VITA



DUETTO



DUETTO CORNER UNIT for 900mm reach-in unit

Duetto is the perfect solution for reach-in corner cabinets. Two carriages, both equipped with two levels of platforms, move out of the corner in a synchronised movement giving access to every part of an otherwise dead space.

- Equipped with - heavy duty slides
 - pull-in devices
 - efficient damping technology
 - easily adjustable shelves
 - anti-slip surface
- Available in CristalLine
- When ordering, specify left or right opening door



RFGDD45CL - PULLOUT CORNER LEFT CRYSTAL LINE 450 UNIT DOLVE VITA
RFGDD45CR - PULLOUT CORNER RIGHT CRYSTAL LINE 450 UNIT DOLVE VITA

- **MINIMUM DOOR SIZE: 450mm**

LATO



LATO

Sidemount Larder for 300mm or 400mm unit

- Equipped with - Two height adjustable shelves
 - Full extension slides
 - SLOWMOTION damping
- Available in CristalLine

LARDERS

RFGDL30C - PULLOUT LATO CRYSTAL LINE 300MM UNIT DOLCE VITA
RFGDL40C - PULLOUT LATO CRYSTAL LINE 400MM UNIT DOLCE VITA



DolceVita
BETTER SPICE BETTER LIVING



VARIO



LARDER FOR 150 MM UNIT

- Equipped with
 - 2 Shelves
 - Bottom or side mounted full extension runners
 - Slowmotion damping
- Available in CristalLine
RFGDV15C
PULLOUT VARIO CRYSTAL LINE



GIRO



GIRO

GIRO regains dead space in the kitchen. It is the simplest and most efficient innerware for rectangular corner cabinets with two independent levels and automatic pull-out of the lower level.

GIRO $\frac{3}{4}$ CAROUSEL

Ø 800mm

- Suitable for installation in a 900mm Corner Cupboard

RFGDG8075C - CRISTALLINE FINISH

PLANO



PLANO DRAWERS

- Equipped with
 - full-extension concealed Excel runners
 - progressive SLOWMOTION damping
 - an even-surfaced, fully accessible, extractable drawer
 - anti-slip surface
 - railings to fit drawer size
- Available in CristalLine
- Available in heights of 100mm
- Available in widths of 450mm, 500mm, 600mm, 900mm

450MM UNIT

RFGDP4510C - PLANO DRAWER CRYSTAL LINE H100 450MM UNIT

500MM UNIT

RFGDP5010C - PLANO DRAWER CRYSTAL LINE H100 500MM UNIT

600MM UNIT

RFGDP6010C - PLANO DRAWER CRYSTAL LINE H100 600MM UNIT

900MM UNIT

RFGDP9010C - PLANO DRAWER CRYSTAL LINE H100 900MM UNIT

