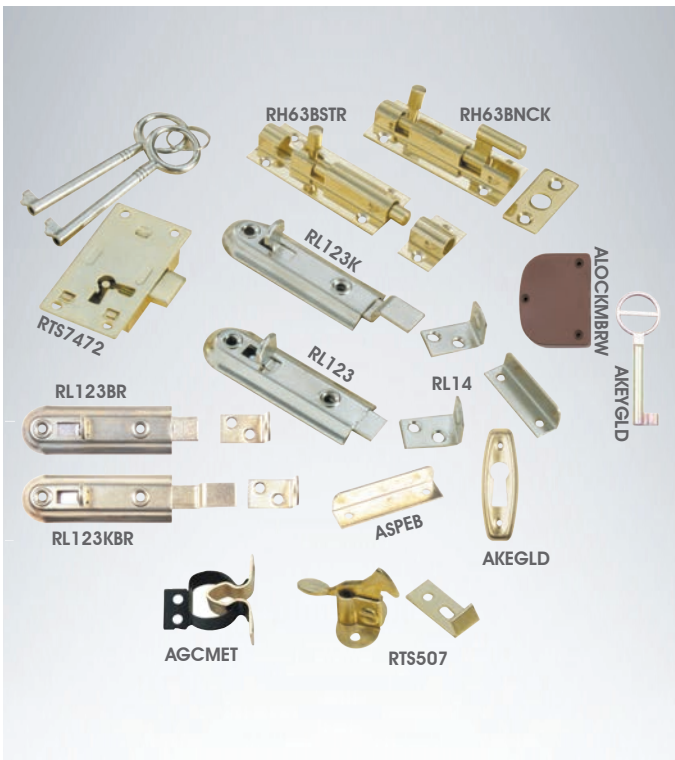
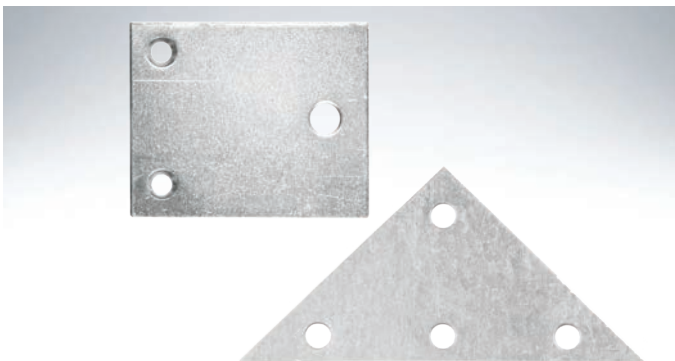




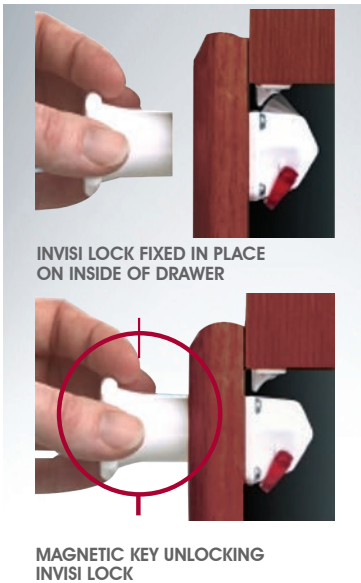
IRONMONGERY



RTS7472	64MM BRASS CUPBOARD LOCK
RTS7473	76MM BRASS CUPBOARD LOCK
RL123	70MM STRAIGHT FLUSH BOLT NICKEL
RL123K	70MM NECKED FLUSH BOLT NICKEL
RL123BR	70MM STRAIGHT FLUSH BOLT BRASS
RL123KBR	70MM NECKED FLUSH BOLT BRASS
RH63BNCK	63MM NECKED BRASS BARREL BOLT
RH63BSTR	63MM STRAIGHT BRASS BARREL BOLT
RH63CNCK	63MM NECKED CHROME BARREL BOLT
RH63CSTR	63MM STRAIGHT CHROME BARREL BOLT
RL14	STRIKER PLATE NICKEL PLATED 32MM
ASPEB	STRIKER PLATE BRASS PLATED 32MM
AKEYGLD	GOLD KEY FOR PLASTIC LOCK
AKEGLD	ESCUTCHEON PLATE BRASS PLATED
AGCMET	GRIPPER CATCH METAL
RTS507	ROOSTER CATCH BRASS PLATED
RTS507NP	ROOSTER CATCH NICKEL PLATED



AHPSZN	HANGING PLATE SQUARE
Zinc	
RM41C	SUSPENSION PLATE TRIANGULAR
Zinc	



INVISI LOCK FIXED IN PLACE ON INSIDE OF DRAWER

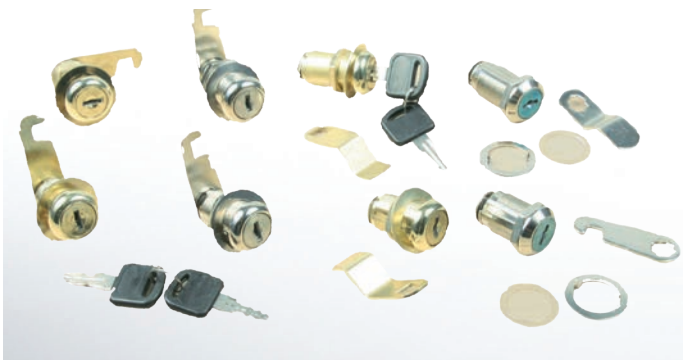
MAGNETIC KEY UNLOCKING INVISI LOCK

THE INVISI LOCK

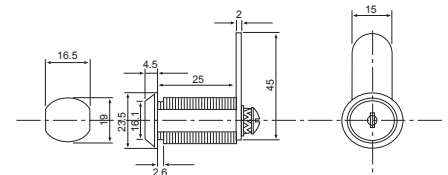
RCF153 - Lock
RCF152 - Key

- The most unique magnetic locking system on the market today.
- The ultra secure lock is fixed to the inside of a door and is totally invisible from the outside.
- Invisi Lock locks automatically when the door is closed, and unlocks using a unique and patented magnetic "key".
- The Invisi Lock can be used throughout the home, from kitchens and bathrooms to sheds, garages and offices.
- The Invisi Lock operates through glass, wood, ceramic tiles, laminates and non-ferrous metals.
- Suitable for doors from 12mm to 38mm.

OPTION OF CRANKED OR HOOKED CAM



RVLC1925CBR - Brass
RVLC1925CNP - Nickel
25MM CAM LOCK
with 45mm Cranked Cam
Barrel 19 x 25



RVLC1930CBR - Brass
RVLC1930CNP - Nickel
30MM CAM LOCK
with 45mm Cranked Cam
Barrel 19 x 30

CAMS
Cranked

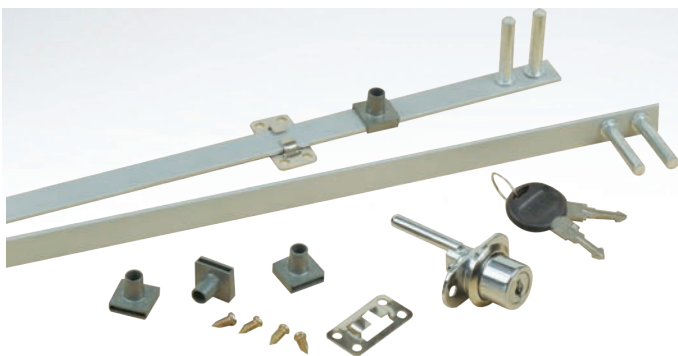


RVLC1930HBR - Brass
RVLC1930HNP - Nickel
30MM CAM LOCK
with 45mm Hooked Cam
Barrel 19 x 30

Hooked

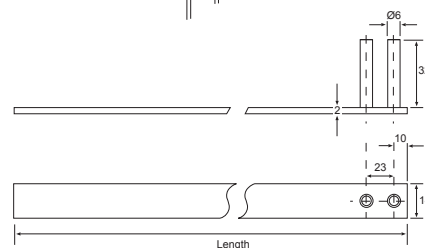
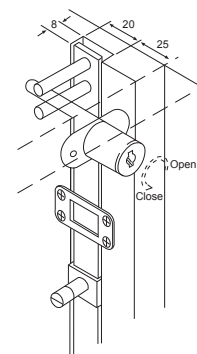


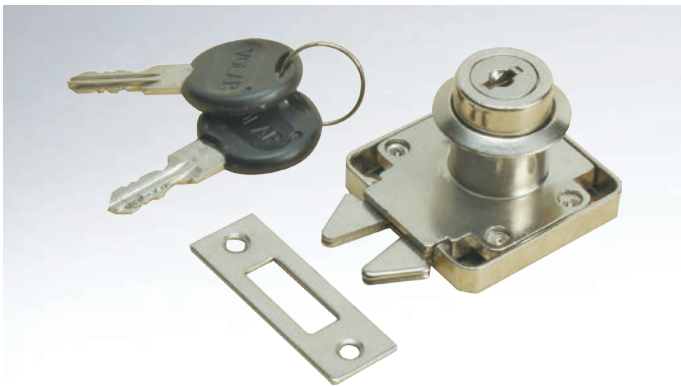
REMOVABLE CORE CAM LOCKS & DRAWER LOCKS AVAILABLE UPON REQUEST



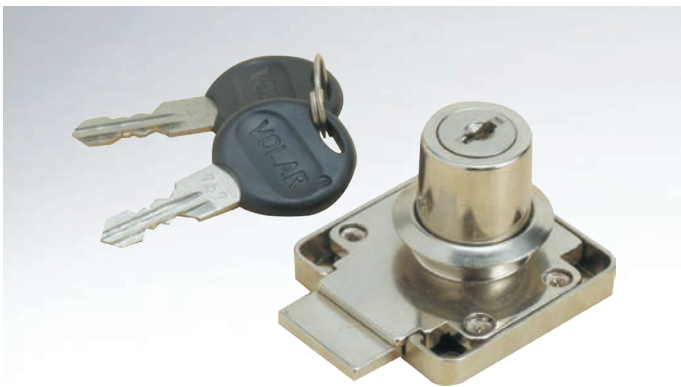
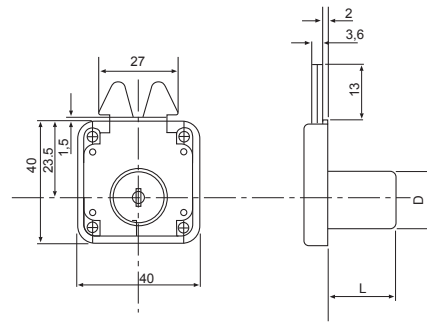
RVLC1858NP - Nickel
19 x 22mm
**CENTRAL LOCKING SYSTEM
FRONT MOUNT**
600mm

RVLC1859NP - Nickel
19 x 22mm
**CENTRAL LOCKING SYSTEM
FRONT MOUNT**
1200mm

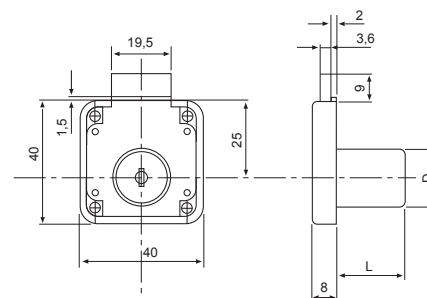




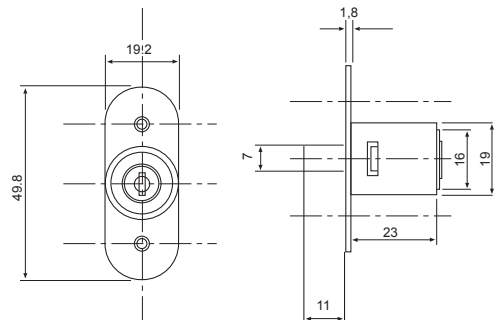
RVLC1736NP - Nickel
19 X 22MM MORTICE LOCK



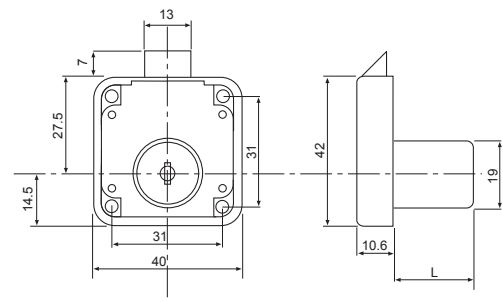
RVLC1737BR - Brass
RVLC1737NP - Nickel
DRAWER LOCK
19 x 22mm



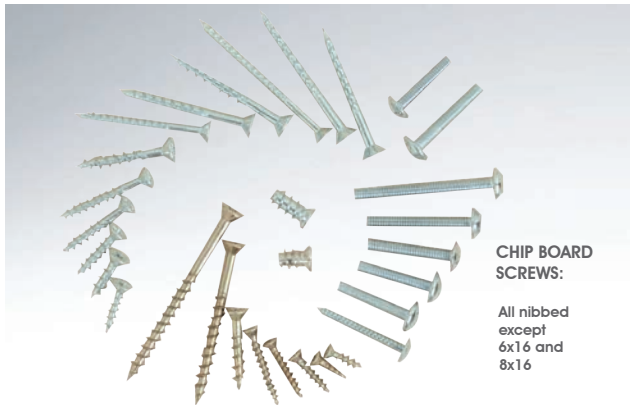
RVLC1815NP
PUSH LOCK- NICKEL PLATED
19 x 22mm



RVLC5109NP
SLAM LOCK - NICKEL PLATED
19 X 22mm



SCREWS & FASTENERS



CHIP BOARD
SCREWS:
All nibbed
except
6x16 and
8x16





CHIP BOARD
SCREWS:
All nibbed
except
6x16 and
8x16

POZI DRIVE

SQUARE HEAD DRIVE

CHIPBOARD SCREWS		MACHINE SCREWS
NICKEL PLATED	YELLOW PASIVATED	METRIC THREAD
RCH6X16	ACH4X16	RM4X25
RCH6X30	ACH4X19	RM4X30
RCH6X40	ACH6X16	RM4X35
RCH6X50	ACH6X20	RM4X40
RCH8X16	ACH6X30	RM4X50
RCH8X25	ACH6X40	
RCH8X30	ACH6X50	
RCH8X40	ACH8X16	DRY WALL SCREWS
RCH8X45	ACH8X20	COURSE THREAD
RCH8X50	ACH8X25	RDW6X25
	ACH8X30	RDW6X28
	ACH8X35	RDW6X32
	ACH8X40	RDW6X41
	ACH8X45	EURO SCREWS
	ACH8X50	COUNTER SUNK
	ACH8X60	RE10 - 10,5mm CSK
	ACH8X70	RE13 - 13mm CSK
	ACH8X75	
	ACH10X30	
	ACH10X50	
	ACH10X60	
	ACH10X75	

CHIPBOARD SCREWS	
NICKEL PLATED	YELLOW PASIVATED
RCHS6X16	ACHS6X16
RCHS6X25	ACHS6X20
RCHS6X30	ACHS6X25
RCHS6X40	ACHS6X30
RCHS6X50	ACHS6X40
RCHS8X16	ACHS6X50
RCHS8X20	ACHS8X16
RCHS8X30	ACHS8X20
RCHS8X35	ACHS8X25
RCHS8X40	ACHS8X30
RCHS8X50	ACHS8X35
	ACHS8X40
	ACHS8X45
	ACHS8X50

POZI BITS	
RTSPOZI125	No 1 Poz Drive Bit 25mm
RTSPOZI25	No 2 Poz Drive Bit 25mm
RTSPOZI150	No 1 Poz Drive Bit 50mm
RTSPOZI50	No 2 Poz Drive Bit 50mm
RTSPOZIMH	Magnetic Poz Drive Bit Holder
	
POZI BITS FOR SQUARE HEAD SCREWS	
RTSQU125	Poz Drive bit Square Drive 1 x 25mm
RTSQU225	Poz Drive bit Square Drive 2 x 25mm
ASBNO150	Poz Drive bit Square Drive 1 x 50mm
ASBNO250	Poz Drive bit Square Drive 2 x 50mm
	

* ALL SCREWS SOLD PER PACK OF 1000



RDS50
DIRECTOR SCREW
7x50mm



AM680
FURNITURE SCREW
M6X80mm

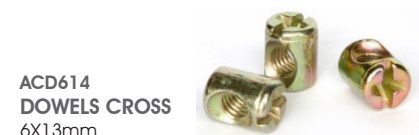


NAIL IN ANCHOR - TRUFIX
ANA8X100 8 X100 per 50
ANA8X120 8 X120 per 50

NAIL IN ANCHOR - TRUFIX
R6X35 6X35 PER 100
R6X55 6X55 PER 100
R6X70 6X70 PER 100
R8X60 8X60 PER 50
R8X75 8X75 PER 50



WOOD INSERT
AWI1025 10X25mm
RISB8X20 8X20mm
AWI813 8X13mm
RISB6X20 6X20mm
AWI613 6X13mm



ACD614
DOWEL CROSS
6X13mm

PNEUMATIC EQUIPMENT & TOOLS

NAIL GUNS



LIGHT DUTY 18G F NAIL GUN

RALNF32AC
Maximum nail length 32mm

RALNF50AC
Maximum nail length 50mm

18 GAUGE BRAD NAILS

RKF18/15 15mm (5,000 per box)
RKF18/20 20mm (5,000 per box)
RKF18/25 25mm (5,000 per box)
RKF18/30 30mm (5,000 per box)

18 GAUGE BRAD NAILS

RKF18/35 35mm (5,000 per box)
RKF18/40 40mm (5,000 per box)
RKF18/45 45mm (5,000 per box)
RKF18/50 50mm (5,000 per box)



RALT50LAC HEAVY DUTY 16G T NAIL GUN

16 GAUGE BRAD NAILS

RKT1 6/25 25mm (2,500 per box)
RKT1 6/30 30mm (2,500 per box)
RKT1 6/35 35mm (2,500 per box)
RKT1 6/40 40mm (2,500 per box)
RKT1 6/45 45mm (2,500 per box)
RKT1 6/50 50mm (2,500 per box)

RALT1650AC EXTRA HEAVY DUTY 16G T NAIL GUN

16 GAUGE BRAD NAILS

RKT1 6/25 25mm (2,500 per box)
RKT1 6/30 30mm (2,500 per box)
RKT1 6/35 35mm (2,500 per box)
RKT1 6/40 40mm (2,500 per box)
RKT1 6/45 45mm (2,500 per box)
RKT1 6/50 50mm (2,500 per box)



STAPLER GUNS



BACKING STAPLER 18G

RALU9025AC
5.8MM CROWN

18 GAUGE STAPLES 5.8MM (1/4") MM CROWN

RK9016 16mm (5,000 per box)
RK9019 19mm (5,000 per box)
RK9025 25mm (5,000 per box)

RALUG25AC
10MM CROWN

18 GAUGE STAPLES 10MM CROWN

RK1016 16mm (5,000 per box)
RK1019 19mm (5,000 per box)



RALU8016AC
UPHOLSTERY STAPLER 21G

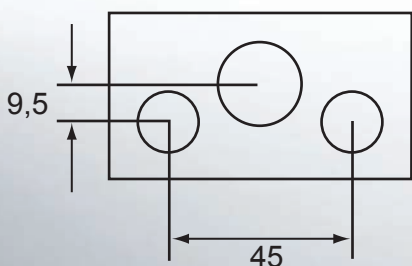
21 GAUGE STAPLES 12.8MM (1/2") CROWN

RK8012 12mm (5,000 per box)
RK8016 16mm (5,000 per box)

EASY 3

HF-MINI EASY 3 HINGE BORING MACHINE RA30EASY3MPRESS

Manual Press 220V
Working Table cm 700 x 295
Drilling unit 3 Spindle
Two Tilt Stop
Security Guard upon Drilling Bits



MOTOR POWER	KW: 0.75
MAX. PANEL THICKNESS	MM: 40
NETT WEIGHT	KG: 22
SINGLE-PHASE POWER SUPPLY	VOLTS: 230V/50-60HZ

MINI PNEUMATIC

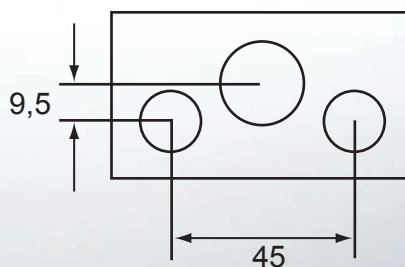
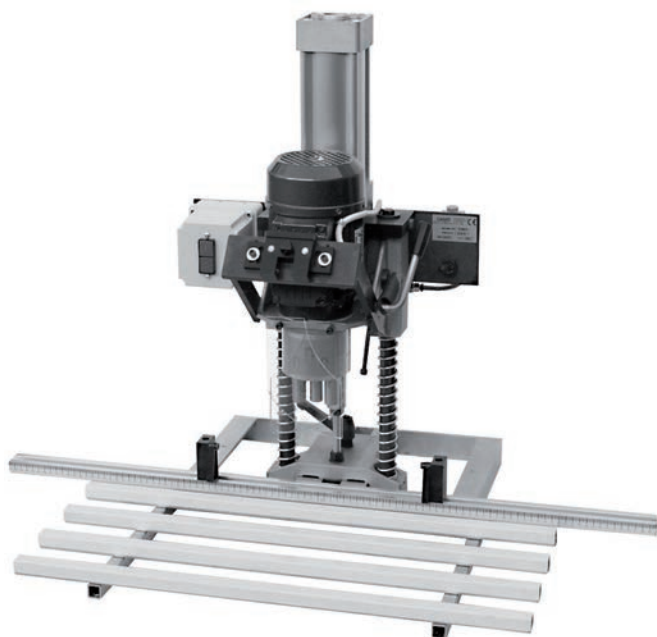
HF - MINI PNEUMATIC HINGE BORING MACHINE *

Electropneumatic
Standard boring head
0,56 Kw motor
380 volt, 3 phase motor
Pneumatic hinge insertion
Net weight 50kg

RA30IND0045800

HF - MINI PNEUMATIC HINGE BORING MACHINE

With Standard Head



SILICONES & ADHESIVES



AMSMDB
SILICONE DB MIRRORFIX

Mirrorfix MS is a high quality and professional adhesive with extreme high tack properties especially for mirror bonding based on hybrid technology which cures under influence of humidity to form a durable elastic rubber



AMSDBB
SILICONE DB HIGH TACK

High Tack has been especially developed as a universal adhesive for bonding many building materials such as: stone, concrete, mirrors, glass, plasterboard, PU, uPVC, hard plastics, enamel, ceramic, copper, lead, zinc, aluminium, metals, stainless steel, HPL and cement



AMSCDB
SILICONE UNIVERSAL
Clear



RASILBK
SILICONE SEALER
Black
RASILWH White



AMSADB
SILICONE ACRYLIC
White



ALCOLIN FLEXIBLE WOOD SEALANT 300ML

- RALC06791 Imbuia
- RALC06792 Meranti
- RALC06793 Oak
- RALC06794 Pine
- RALC06795 Black
- RALC06796 Cherry

PAINTABLE AND SANDABLE



- ASWH10KG STOPPING WHITE 10KG
- ASWH200 ALCOLIN WOODFILLER 200G WHITE
- ASPIN200 ALCOLIN WOODFILLER 200G PINE
- ASMER200 ALCOLIN WOODFILLER 200G MERANTI
- ASIMB200 ALCOLIN WOODFILLER 200G IMBUIA
- ASOAK200 ALCOLIN WOODFILLER 200G OAK
- ASSAP200 ALCOLIN WOODFILLER 200G SAPELE
- ASCH200 ALCOLIN WOODFILLER 200G CHERRY
- ASBEE200 ALCOLIN WOODFILLER 200G BEECH
- ASMAH200 ALCOLIN WOODFILLER 200G MAHOGANY
- ASNAT200 ALCOLIN WOODFILLER 200G NATURAL
- ASBLK200 ALCOLIN WOODFILLER 200G BLACK
- ACG5LT ALCOLIN COLD GLUE 5L
- ACG500ML ALCOLIN COLD GLUE 500ML
- ACONAD500ML ALCOLIN CONTACT ADHESIVE 500ML
- ACG1LT ALCOLIN CONTACT ADHESIVE 1L
- ACG5LTTEK ALCOLIN CONTACT ADHESIVE 5L

TUBING

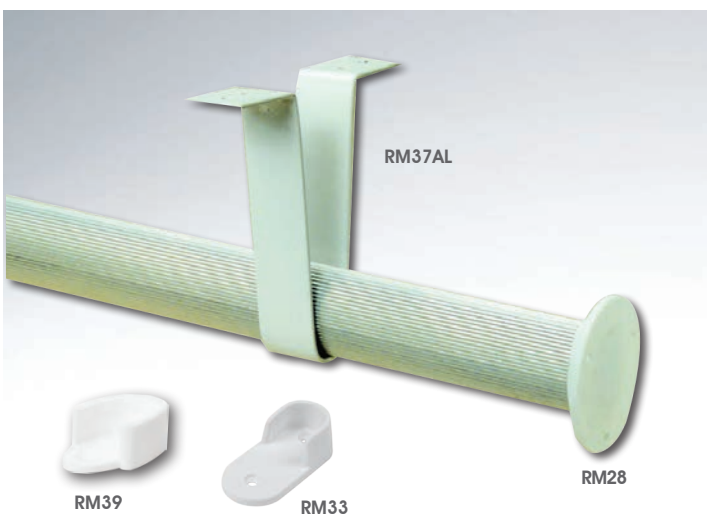


15MM CUPBOARD RAIL

- RGN42 - 3 metre length Chrome Plated
- GN42SS - 3 metre length Stainless Brushed Aluminium

CHROME RAIL HOLDERS

- RGD10 - Chrome End Support
- RGD14 - Chrome Centre Support



OVAL ALUMINIUM TUBING

- R118382
- 2,9 metre length - 19mm

- R118385A
- 5 metre length - 19mm

- R118395
- 5 metre length - 15mm

OVAL TUBING HOLDERS

- RM28 - White - 19mm
- RM28MG - Metallic Grey - 19mm
- RM39 - Open-End White - 19mm
- RM33 - White Open End - 15mm
- RM37AL - Centre Support for 19mm Oval Rod