



Drawer Runners – FGV
Drawer Runners – Cabx

DRAWER RUNNERS - FGV



A premium worldwide brand associated with Roco Fittings for the past 25 years. FGV is built on quality & reliability.

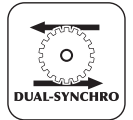
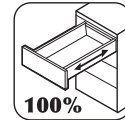


DRAWER RUNNER KIT (H95) FGV TEN

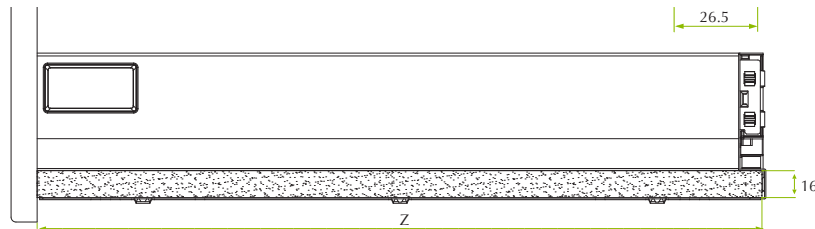
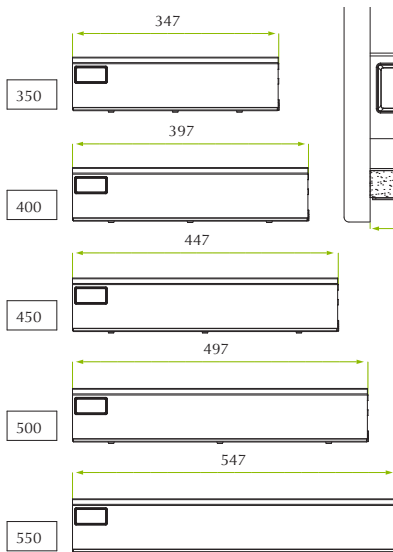
R58XEAKF135X	350mm
R58XEAKF140X	400mm
R58XEAKF145X	450mm
R58XEAKF150X	500mm
R58XEAKF155X	550mm

DRAWER RUNNER KIT WITH GALLERY RAIL (H200) FGV TEN

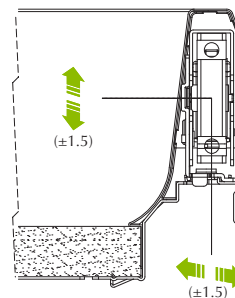
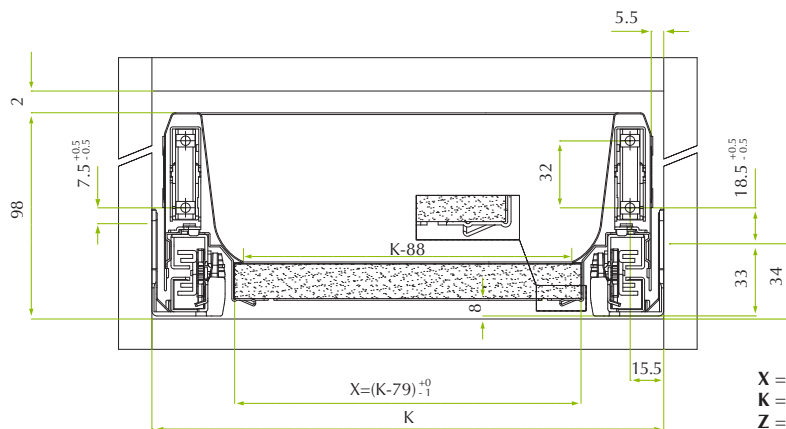
R58XEAGF135X	350mm
R58XEAGF140X	400mm
R58XEAGF145X	450mm
R58XEAGF150X	500mm
R58XEAGF155X	500mm



• TESTED TO 120,000 CYCLES



DRAWER	Z
350	345.5
400	395.5
450	445.5
500	495.5



X = BOTTOM PANEL WIDTH
 K = INTERNAL CABINET WIDTH
 Z = BOTTOM PANEL LENGTH



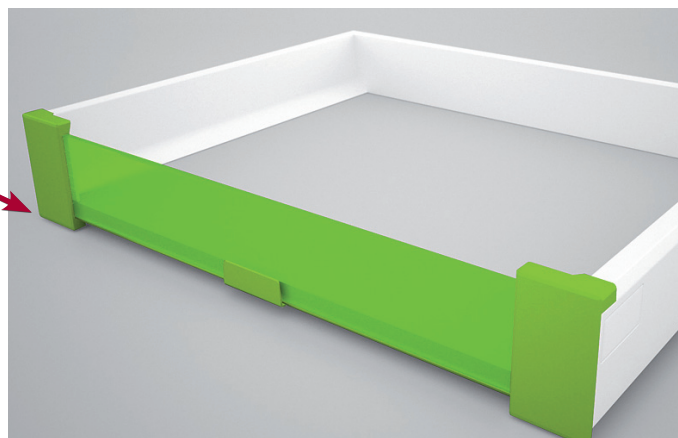
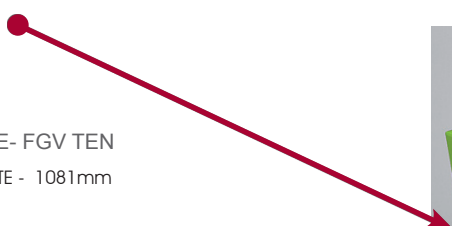
RAILING TUBES FOR INTERNAL DRAWER POLAR WHITE - FGV TEN

- R58RX04F14500000 450mm
- R58RX04F15000000 500mm



FRONTAL BRACKETS FOR INTERNAL DRAWER - FGV TEN

- R58AX4RF10000B00 ALU RAILING
- R58AX40F10000B00 STANDARD

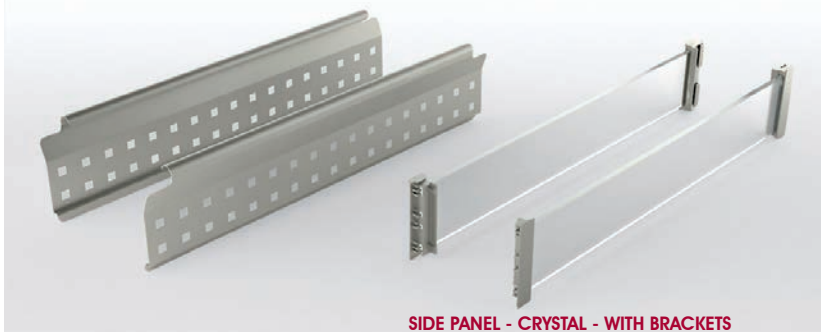


ALUMINIUM FRONT PROFILE- FGV TEN

- R58PX4AF11081B00 POLAR WHITE - 1081mm



SIDE PANEL - STEEL POLAR WHITE



SIDE PANEL - CRYSTAL - WITH BRACKETS

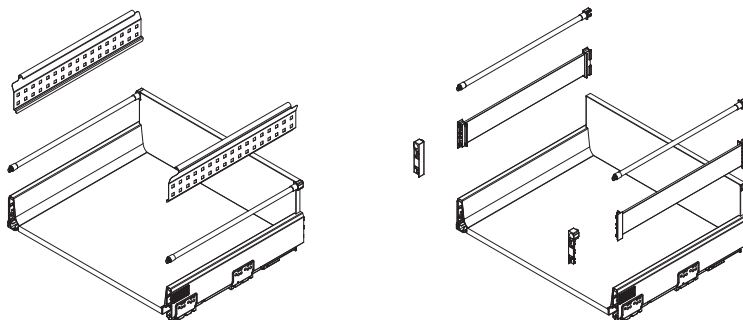


SIDE PANEL - STEEL POLAR WHITE - FGV TEN

- R58SXMOF1450 450mm
- R58SXMOF1500 500mm

SIDE PANEL - CRYSTAL - WITH BRACKETS - FGV TEN

- R58SXVMF1450 450mm
- R58SXVMF1500 500mm

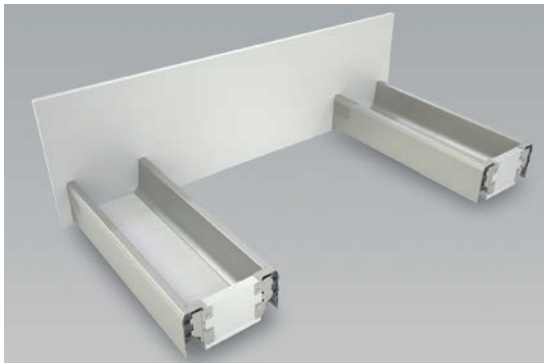


FOR PRIME/EXCEL/STD/TEN/UNISET FGV RUNNERS

- RA0P200 JIG



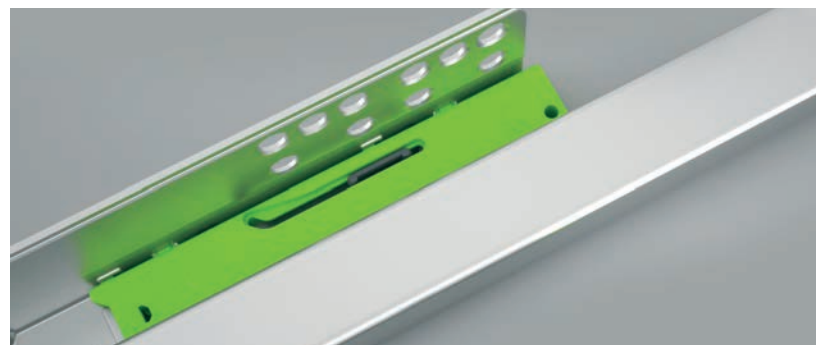
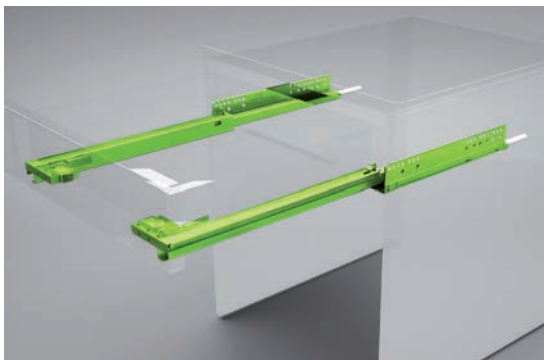
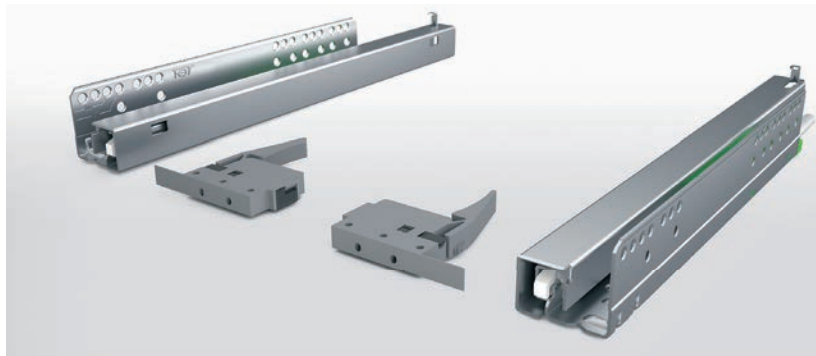
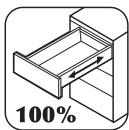
FGV TEN KIT UNDERSINK SOLUTION



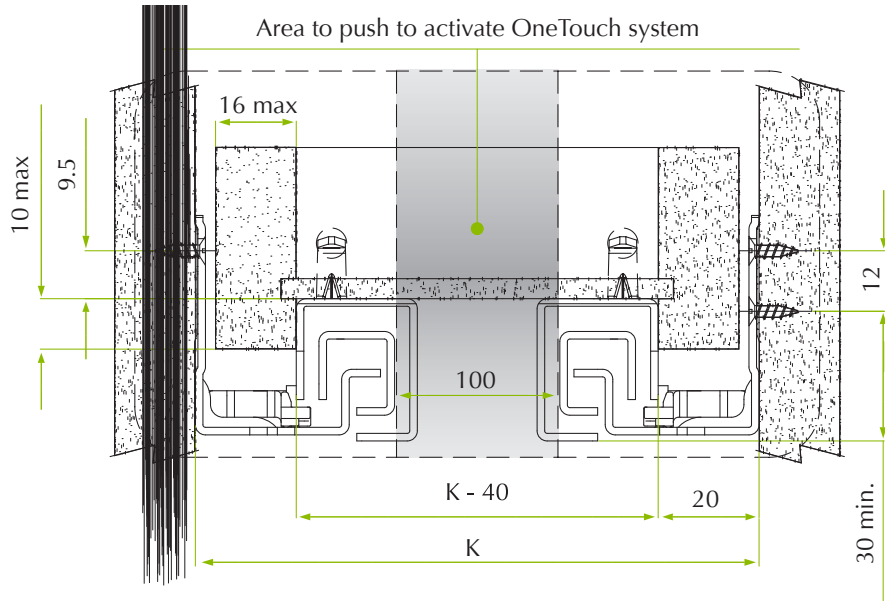
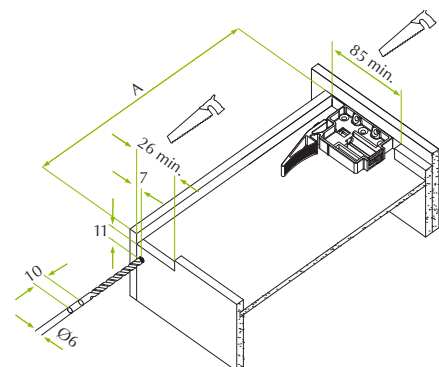
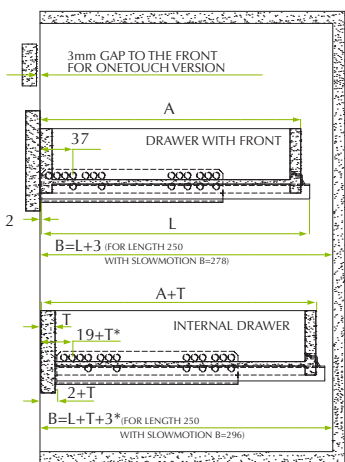
R58XEAKF145X (H95) 450mm
2 SETS NEEDED FOR APPLICATION

DRAWER RUNNER UNDERMOUNT PUSH TO OPEN - FGV

R54N650H745P0000 450mm
 R54N650H750P0000 500mm



Drawer mounting & dimensions



SLOWMOTION ZETA ANYWAY SOFT CLOSE MECHANISM RETROFIT

Universal solution suitable for all Uniset Drawers and Standard Drawer Runners. The unit is symmetrical and reversible with an anti-lift system.

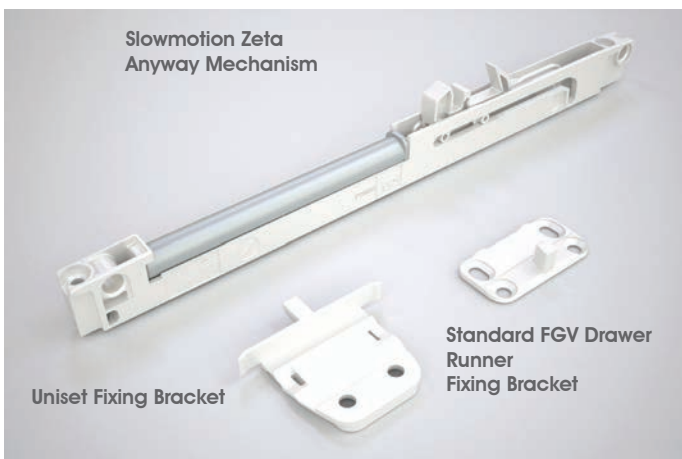
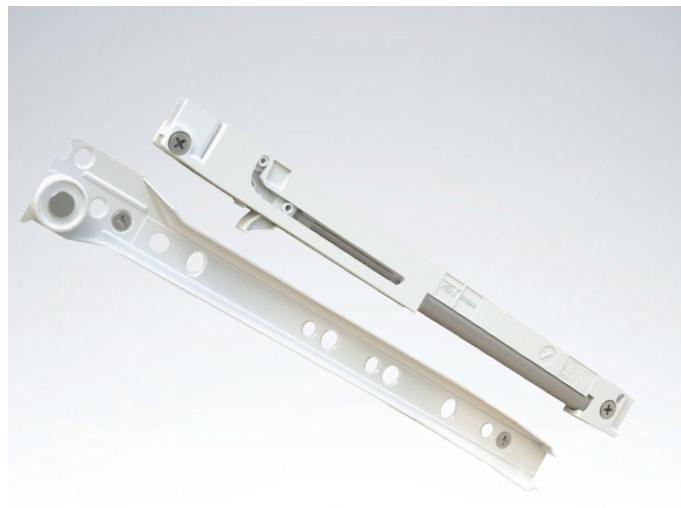


TABLE SHOWING NUMBER OF SLOWMOTION ZETA ANYWAY RECOMMENDED:

		BASE					
		300 350	400 450	500	600	700	800 900
DEPTH	270	1	1	1	1	2	2
	300	1	1	1	1	2	2
	350	1	1	1	1	2	2
	400	1	1	1	1	2	2
	450	1	1	1	2	2	2
	500	1	1	2	2	2	2
	550	1	1	2	2	2	2
	600	1	1	2	2	2	2

ZETA ANYWAY SLOWMOTION MECHANISM FGV

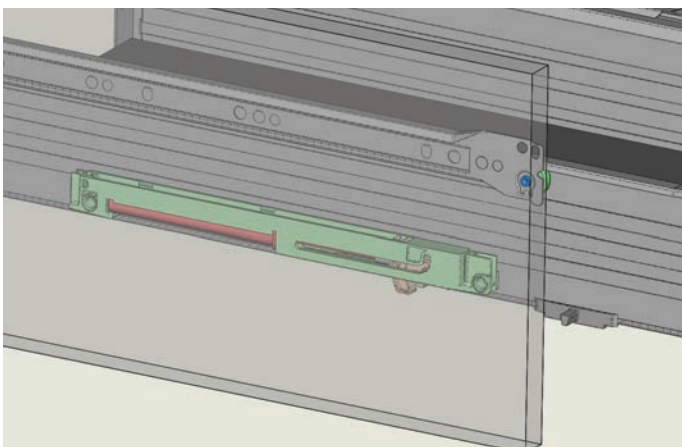
RF59072001Z0X0020

ZETA BRACKET FOR STANDARD DRAWER RUNNER TS

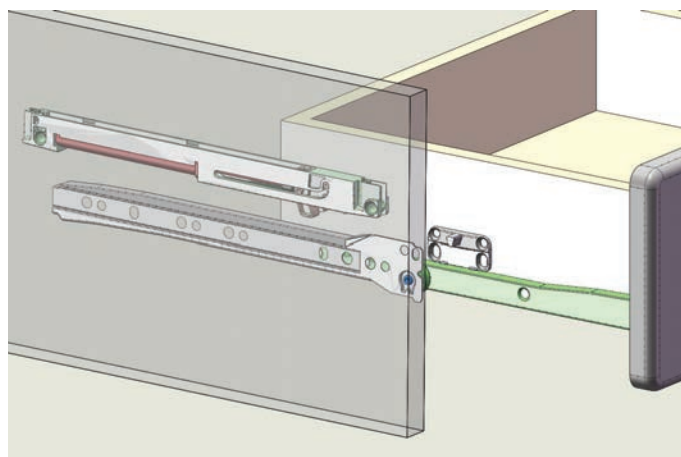
RF59072S01Z000020

ZETA BRACKET FOR UNISSET/METABOX RUNNERS

RF59072D01Z000020



FGV UNISSET DRAWER APPLICATION



STANDARD FGV DRAWER RUNNER APPLICATION





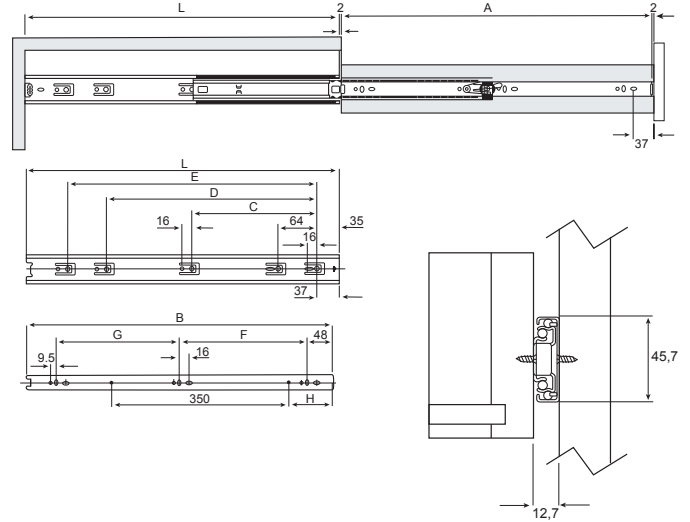
DRAWER RUNNER WHITE - FGV

- RTS603WH 1.2mm - 400mm
- RTS604WH 1.2mm - 450mm
- RTS605WH 1.2mm - 500mm

- Self Closing
- Dynamic load: 25kg
- 1.2mm thick
- Bottom mounting
- Tested to 50,000 cycles



SIDE FIXING POSITIONS



DRAWER INSTALLATION DIMENSIONS

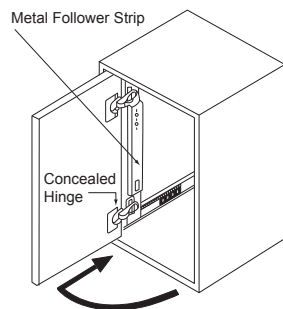
L	A	B	C	D	E	F	G	H
300	300	295	224	-	-	96	128	-
350	350	345	224	-	-	128	128	-
400	400	395	224	288	-	160	160	-
450	450	445	224	352	-	160	192	81
500	500	495	224	352	416	192	224	-
550	550	545	224	352	416	224	224	-
600	600	595	224	352	480	256	256	-

- RTS613 400mm BALL BEARING RUNNER FULL EXT (45MM)
- RTS614 450mm BALL BEARING RUNNER FULL EXT (45MM)
- RTS615 500mm BALL BEARING RUNNER FULL EXT (45MM)

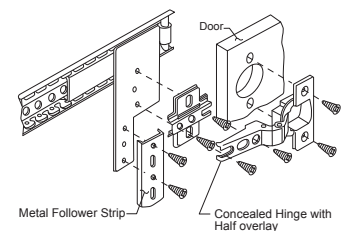
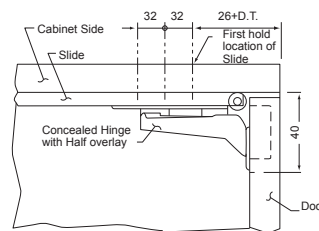
- Full Extension
- Dynamic load: 45kg
- Side Fixing
- Unlocking Device
- Tested to 50,000 cycles



RHD450
450MM HIDE-AWAY DOOR SYSTEM
 Maximum slide-in depth 344mm
 Includes hinges
 Maximum door weight 5.5Kg
 Maximum door height 700mm
 Door thickness 16 to 20mm



RHD500
500MM HIDE-AWAY DOOR SYSTEM
 Maximum slide-in depth 394mm
 Includes hinges
 Maximum door weight 5.5kg
 Maximum door height 700mm
 Door thickness 16 to 20mm



DRAWER RUNNERS - CABX



ECONOMICALLY SOURCED & PRICED RANGES OF HARDWARE FOR THE KITCHEN & FURNITURE INDUSTRIES

DRAWER RUNNER - WHITE

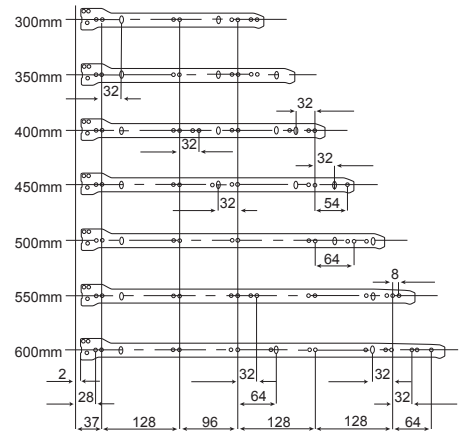
ADRUN300MMWH	1.2mm - 300mm
ADRUN350MMWH	1.2mm - 350mm
ADRUN400MMWH	1.2mm - 400mm
ADRUN450MMWH	1.2mm - 450mm
ADRUN500MMWH	1.2mm - 500mm
ADRUN550MMWH	1.2mm - 550mm
ADRUN600MMWH	1.2mm - 600mm



- Self Closing
- Dynamic load: 20kg
- 1.2mm thick
- Bottom mounting
- Tested to 30,000 cycles



SIDE FIXING POSITIONS

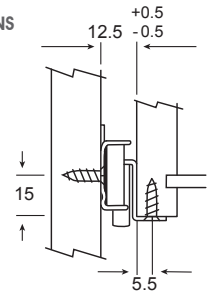


ALDRUN300MMWH	0.9mm - 300mm
ALDRUN350MMWH	0.9mm - 350mm
ALDRUN400MMWH	0.9mm - 400mm
ALDRUN450MMWH	0.9mm - 450mm
ALDRUN500MMWH	0.9mm - 500mm

- Self Closing
- Dynamic load: 15kg
- 0.9mm thick
- Bottom mounting
- Tested to 30,000 cycles



INSTALLATION DIMENSIONS



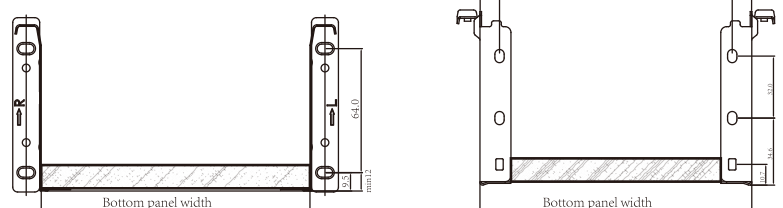
DRAWER RUNNER METABOX

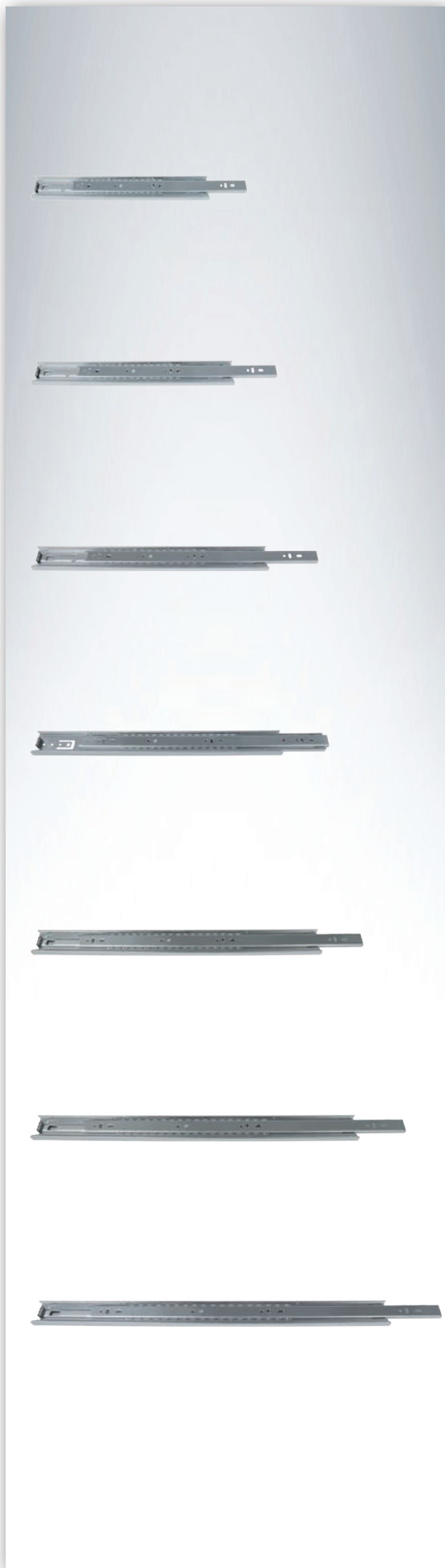
RMETABOX500150WH	500x150mm White (1.0mm)
RMETABOX50086WH	500x86mm White (1.0mm)
RMETABOX450150WH	450x150mm White (1.0mm)
RMETABOX45086WH	450x86mm White (1.0mm)

- Self Closing
- Dynamic load: 25kg
- 1mm thick
- Tested to 30,000 cycles



INSTALLATION DIMENSIONS

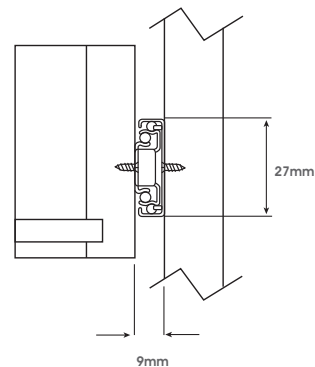




**BALL BEARING DRAWER RUNNER
27MM GALVANISED**

CBB27300GAL	(27mm) - 300MM
CBB27350GAL	(27mm) - 350MM
CBB27400GAL	(27mm) - 400MM
CBB27450GAL	(27mm) - 450MM
CBB27500GAL	(27mm) - 500MM

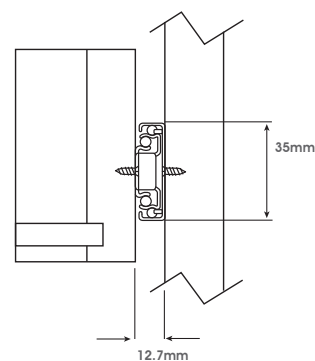
- Self Closing
- Dynamic load: 25kg
- Side fixing
- Tested to 30,000 cycles



**BALL BEARING DRAWER RUNNER
35MM GALVANISED**

CBB35250GAL	(35mm) - 250MM
CBB35300GAL	(35mm) - 300MM
CBB35350GAL	(35mm) - 350MM
CBB35400GAL	(35mm) - 400MM
CBB35450GAL	(35mm) - 450MM
CBB35500GAL	(35mm) - 500MM

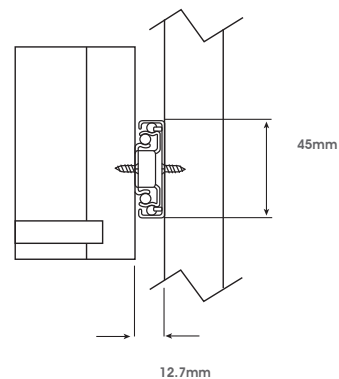
- Self Closing
- Dynamic load: 30kg
- Side fixing
- Tested to 30,000 cycles



**BALL BEARING DRAWER RUNNER 45MM
GALVANISED**

ABB250GAL	250mm
ABB300GAL	300mm
ABB350GAL	350mm
ABB400GAL	400mm
ABB450GAL	450mm
ABB500GAL	500mm
ABB550GAL	550mm
ABB600GAL	600mm

- Self Closing
- Dynamic load: 35kg
- Side fixing
- Tested to 50,000 cycles

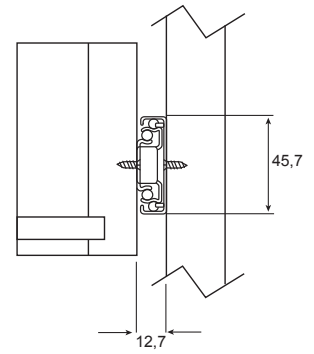




**BALL BEARING DRAWER RUNNER
SOFT CLOSING**

- RTS813 400mm
- RTS814 450mm
- RTS815 500mm

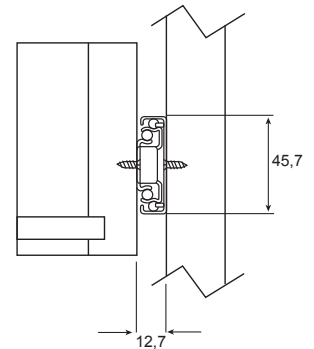
- Soft Closing
- Dynamic load: 35kg
- Side fixing
- Tested to 50,000 cycles



**BALL BEARING DRAWER RUNNER
ONE TOUCH - PUSH TO OPEN**

- CBB400OT 400mm
- CBB450OT 450mm
- CBB500OT 500mm

- Push to open
- Dynamic load: 35kg
- Side fixing
- Tested to 50,000 cycles



**UNDER MOUNT DRAWER RUNNER SOFT
CLOSING**

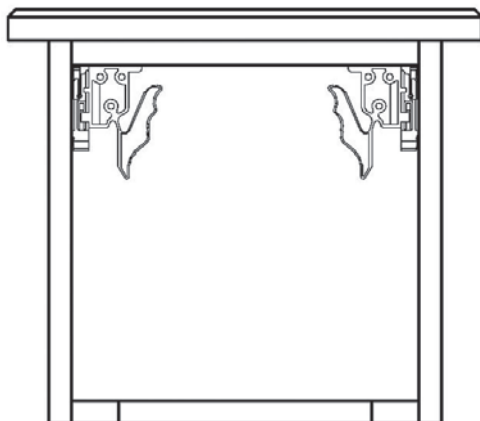
- ADH301D300 300mm
- ADH301D350 350mm
- ADH301D400 400mm
- ADH301D450 450mm
- ADH301D500 500mm
- ADH301D550 550mm

Drawer's Length L	Cabinet's Depth L1 (min.)
300mm	322mm
300mm	372mm
400mm	472mm
450mm	522mm
500mm	572mm
600mm	622mm

- Soft Closing
- Dynamic load: 35kg
- Undermount
- Tested to 50,000 cycles



A SIDE VIEW



DRAWER HOLE LOCATION

