



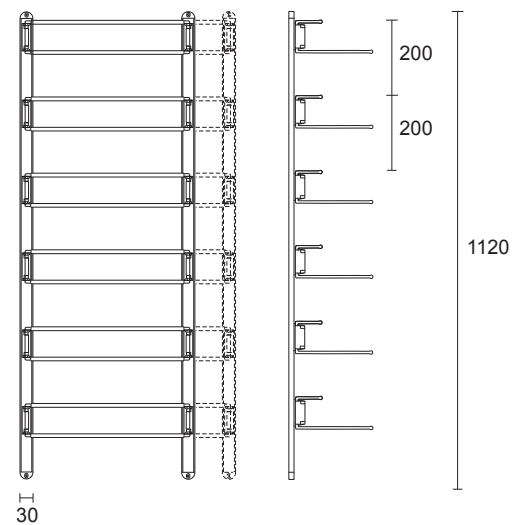
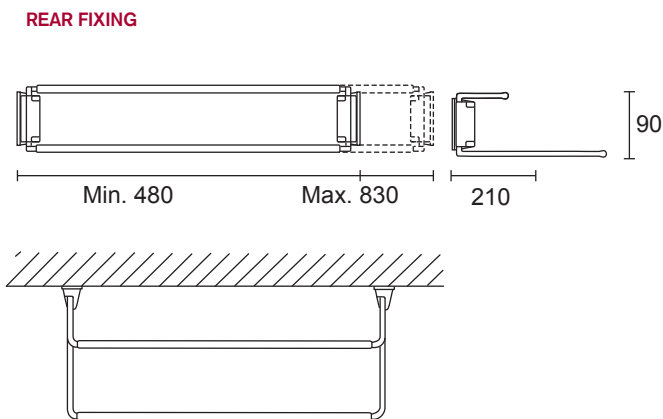
ACCESSORIES - **BEDROOM**



RA117A
ALUMINIUM SHOE RACK GUIDE PER PAIR
 Silver
 (One pair required per rack)

RA111A
TELESCOPIC SHOE RACK FOR REAR FIXING
 Silver
 (six sets required per rack)

APPLICATION FOR ALUMINIUM GUIDES

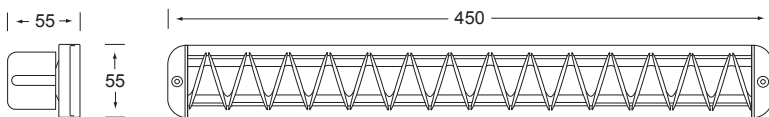




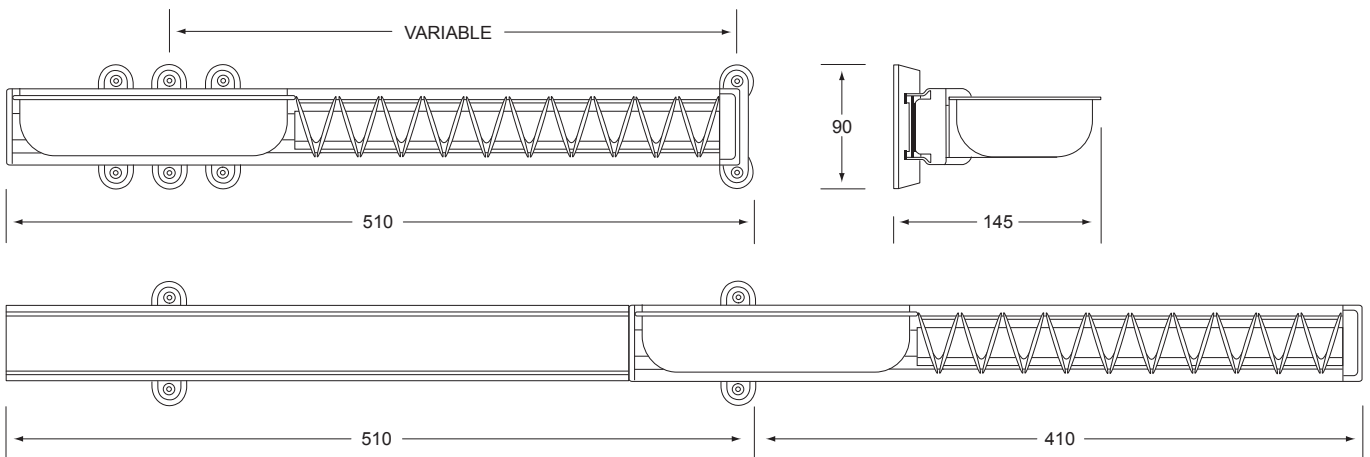
RA142A
TIE AND BELT RACK - PULLOUT
 Silver
 Including Plastic Cuff-link Bowl
 Closed Length - 510mm
 Open Length - 920mm

RA141A
TIE AND BELT RACK - FIXED
 Silver
 Length - 450mm

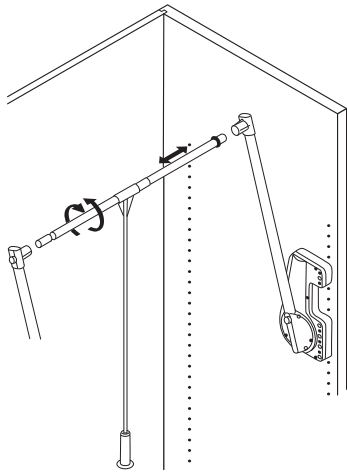
FIXED TIE AND BELT RACK



PULLOUT TIE AND BELT RACK



SUPERLIFT



RA151A
WARDROBE CLOTHES LIFT
 Superlift
 Silver
 Load capacity - 20kg

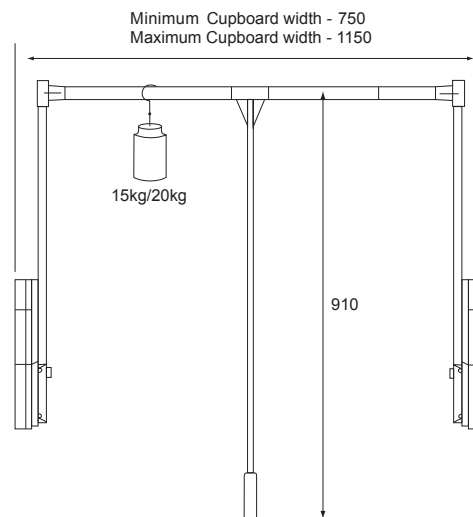
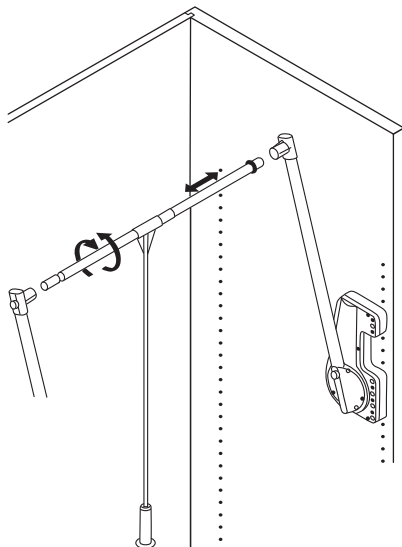
UPRIGHT REGULATING DEVICE



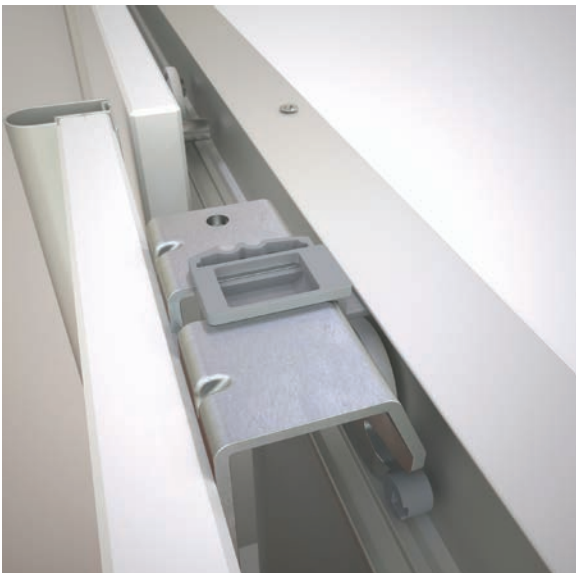
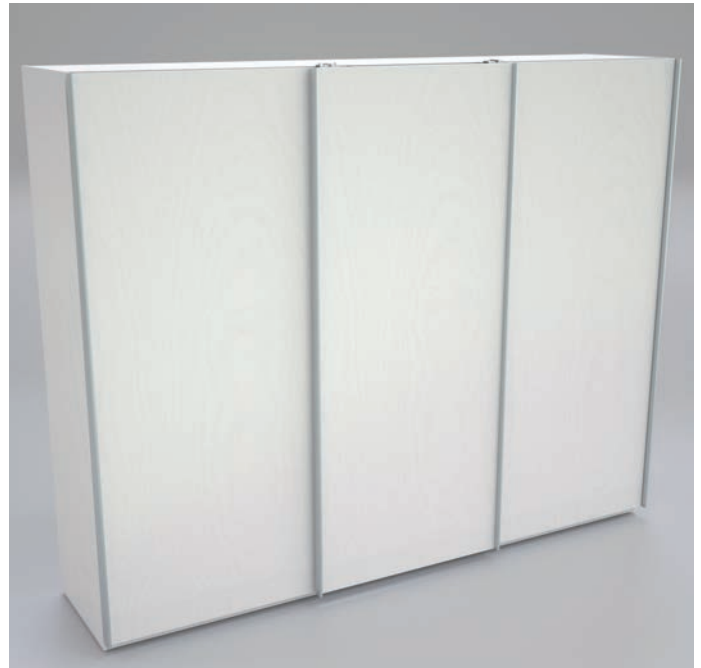
STRENGTH REGULATING DEVICE



RA700A
WARDROBE CLOTHES LIFT
 Silver
 Load capacity - 15kg
 Stops in 90° position



DOMINO SLIDING DOOR SYSTEM



TECHNICAL SPECIFICATION

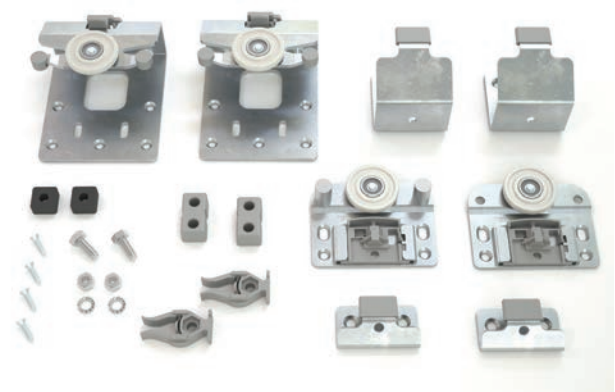
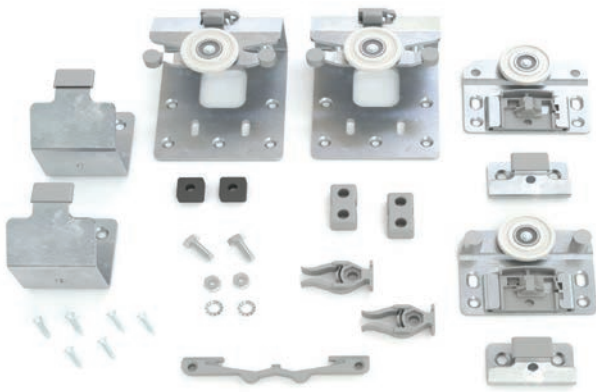
- Solution for 2 & 3 sliding doors, lower slider version
- Application with bar on the cabinet front
- Integrated safety stops and anti-lift features
- Door weight up to 50kg
- Easy and rapid assembling with optional EasyFix door brackets

Domino 

**BETTER ACCESS
BETTER LIVING**

True to their motto, "value for many", FGV have designed a state of the art sliding door solution, The Domino. Both materials and components used are chosen for their ability to deliver perfect functioning at an affordable price.

The different components of the system are easy to assemble. Safety stop and anti-lift features are an integral part of the design.



3 DOOR KIT

RF590DM307000R000
DOMINO SLIDING DOOR KIT
 3 Door
 Thickness = 16-21mm

KIT CONTAINS:

- 2 top ball bearing rollers for external door (central)
- 4 top ball bearing rollers for internal door, equipped with SLOWMOTION activator
- 2 bottom gliders for external door
- 4 bottom gliders for internal doors
- 2 lateral door stops for application without SLOWMOTION
- 2 lateral door stops for SLOWMOTION solution
- 1 central door stop for application without SLOWMOTION
- 2 stabiliser blocks to straighten the top profile
- 2 bottom stops
- 2 sets of plastic brackets for SLOWMOTION fixing
- Fittings and SLOWMOTION'S fixing screws
- Assembly instruction

2 DOOR KIT

RF590DM207000R000
DOMINO SLIDING DOOR KIT
 2 Door
 Thickness = 16-21mm

KIT CONTAINS:

- 2 top ball bearing rollers for external door, one of which is equipped with SLOWMOTION activator
- 2 top ball bearing rollers for internal door, equipped with SLOWMOTION activator
- 2 bottom gliders for external door
- 2 bottom gliders for internal door
- 2 lateral door stops for application without SLOWMOTION
- 2 lateral door stops for SLOWMOTION solution
- 2 stabiliser blocs to straighten the top profile
- 2 bottom stops
- 2 sets of plastic brackets for SLOWMOTION fixing
- Fittings and SLOWMOTION'S fixing screws
- Assembly instruction



RF590DMB0AS300000
DOMINO TOP ALUMINIUM RAIL
 3m



RF590DMB0AI300000
DOMINO BOTTOM ALUMINIUM RAIL
 3m

ALUMINIUM SLIDING DOOR SYSTEM



RFSD603100027
SLIDING DOOR GASKET (GLASS DOORS)
Clear
2.7m Length
Used with 5mm safety Glass

RFSD603100081
ROLLER WHEEL SET FOR SLIDING DOOR
2 Sets needed per door

RFSD603100250
SLIDING DOOR BRUSH PER METRE
(Anti Slam)

RFSD603322004
SLIDING DOOR H PROFILE
LXD3022
4m Length

RLSD52689UG31
SLIDING DOOR UPPER TRACK
3m Length

RLSD52689UG41
SLIDING DOOR UPPER TRACK
4m Length

RLSD52690BT31
SLIDING DOOR BOTTOM TRACK
3m Length

RLSD52690BT41
SLIDING DOOR BOTTOM TRACK
4m Length

RLSDVPH13011
SLIDING DOOR VERTICAL PROFILE
2.7m Length

RLSDTBP69084
SLIDING DOOR TOP & BOTTOM PROFILE
4m Length

CALCULATING DOOR WIDTH

2 Door System



3 Door System



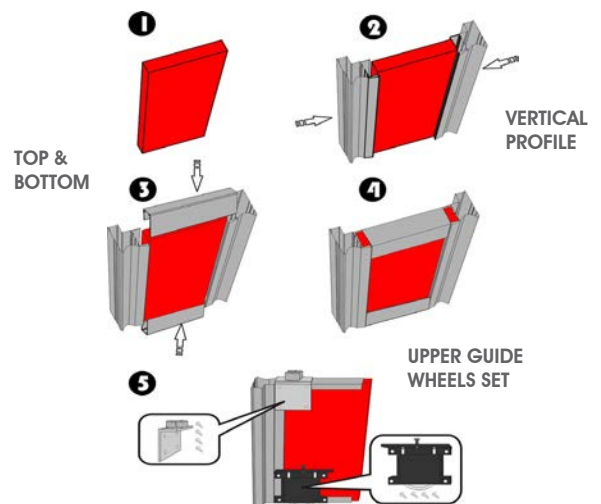
4 Door System



5 Door System



ASSEMBLY



CALCULATING CUTTING SIZES FOR THE PROFILES:

UPPER GUIDE & BOTTOM TRACK		OPENING WIDTH - 1MM
VERTICAL PROFILE		OPENING HEIGHT - 33MM
TOP & BOTTOM PROFILE		DOOR WIDTH - 68MM
H-PROFILE		DOOR WIDTH - 68MM



RK600
PULLOUT SHOE RACK
 Chrome
 Suitable for 600mm unit
 Width - 568mm
 Depth - 450mm
 Height - 160mm
 Includes 450mm Drawer Runner

RK900
PULLOUT SHOE RACK
 Suitable for 900mm unit
 Width - 868mm
 Depth - 450mm
 Height - 160mm
 Includes 450mm Drawer Runner



2 PIECE KIT

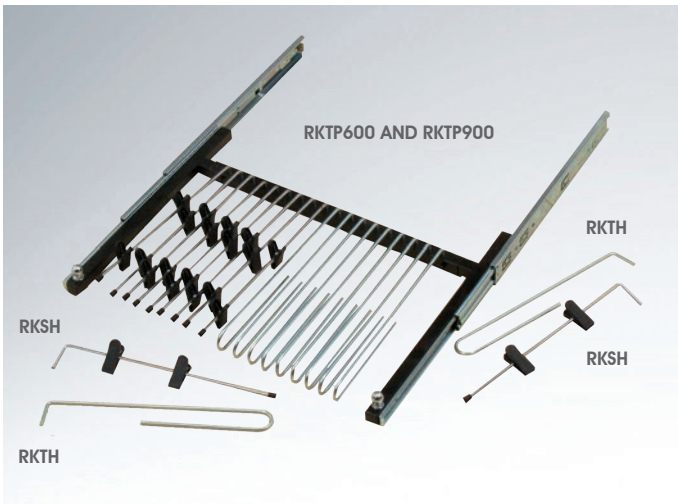


RSHOENAT600
SHOE RACK KIT SURFACE MOUNT
 NATURAL
 568mm (600 UNIT)

RSHOENAT900
 868mm (900 UNIT)

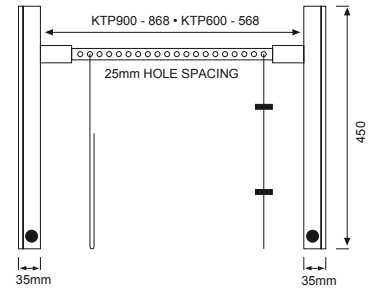


XASRSIL
SILVER ADJUSTABLE PULLOUT SHOE RACK
 600-900mm
 Bottom Mount



**RKT600
PULLOUT TROUSER/SKIRT RACK**

Including Runners
No Holders
Suitable for 600 unit
Depth - 450
Width - 578
Load capacity - Combination of
16 Trousers/Skirt rails



600 Takes a combination of 16 trouser/skirt holders
900 Takes a combination of 25 trouser/skirt holders

- RKSH - Skirt Holder
- RKTH - Trouser Holder
- RKTHMB - Black Trouser Holder



**RKSH and RKTH
MUST BE ORDERED AND INVOICED SEPARATELY.**

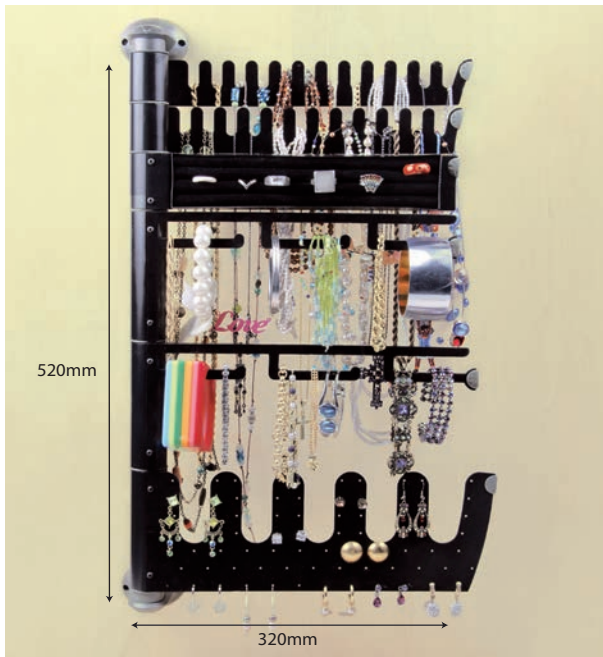
**RKT900
PULLOUT TROUSER/SKIRT RACK**

Including Runners
No Holders
Suitable for 900mm unit
Depth - 450mm
Width - 868mm
Load capacity - Combination of 25 Trousers/Skirt rails



**RXTR500
BLACK PULLOUT TROUSER RACK**

Closed Length - 500mm
Extended Length - 796mm
Base Width - 70mm
Base Height - 93mm
Extended Rail Width incl. base - 430mm
Load capacity - 2 pairs per rail
Right or left installation



RTISRW

TIDY SUZI JEWELLERY ORGANISER

Stainless steel and aluminium, with a hard-wearing, luxurious velvet finish. 180 degree rotating arms ensure easy access to all your jewellery.

Stores:

- 50 necklaces
- up to 20 rings
- 18 bangles/watches
- 38 pairs of earrings

JEWELLERY NOT INCLUDED



R703166

PULLOUT REVOLVING MIRROR

LEFT/RIGHT

300 UNIT

114X422X1100

